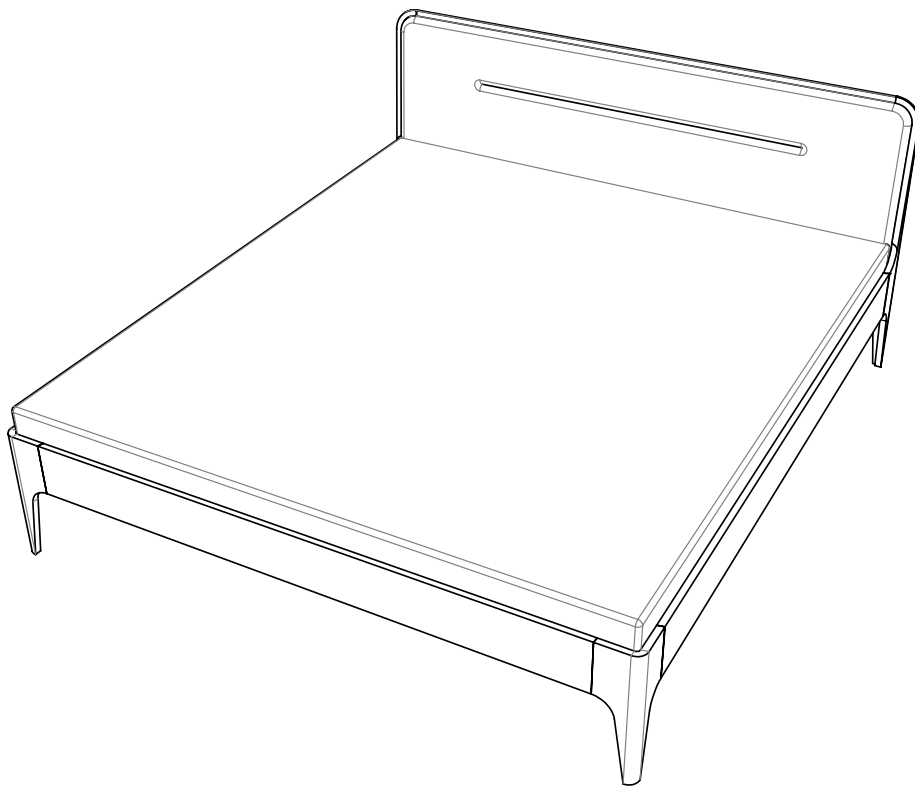


JAVORINA

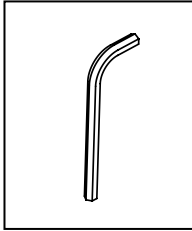
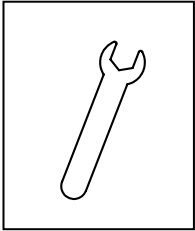
Assembly instructions
AIRA Bed



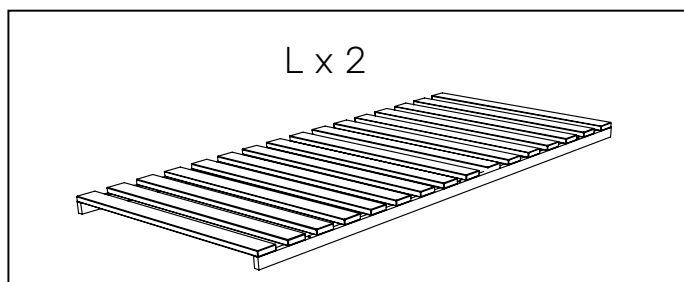
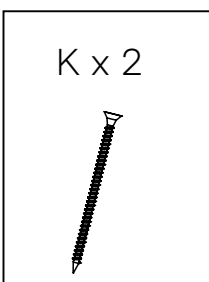
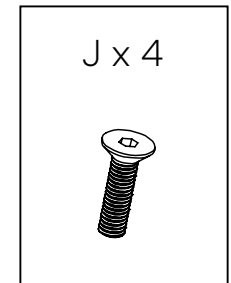
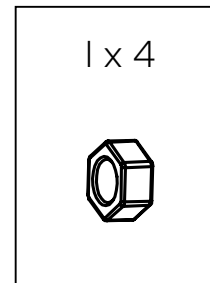
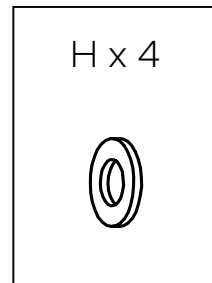
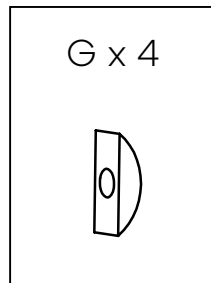
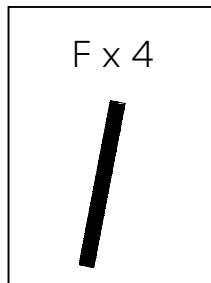
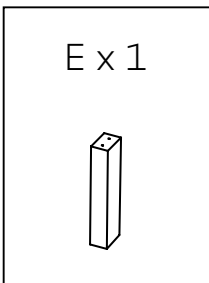
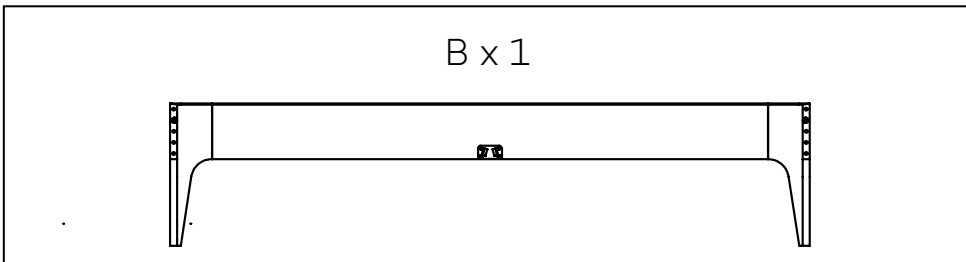
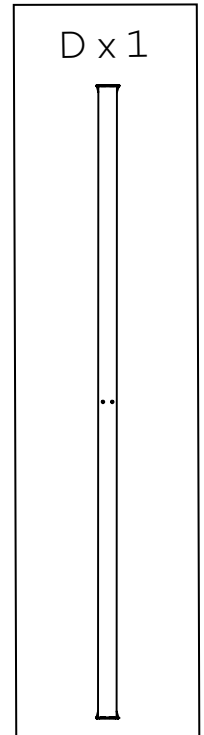
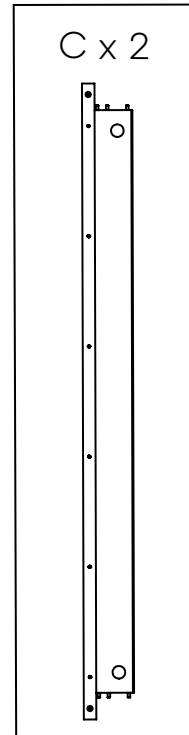
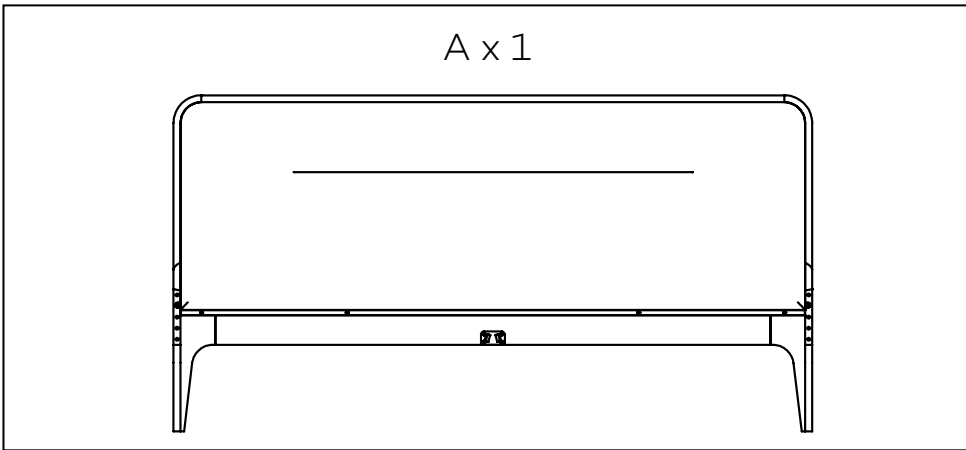
Please, scan this QR code
for video assembly



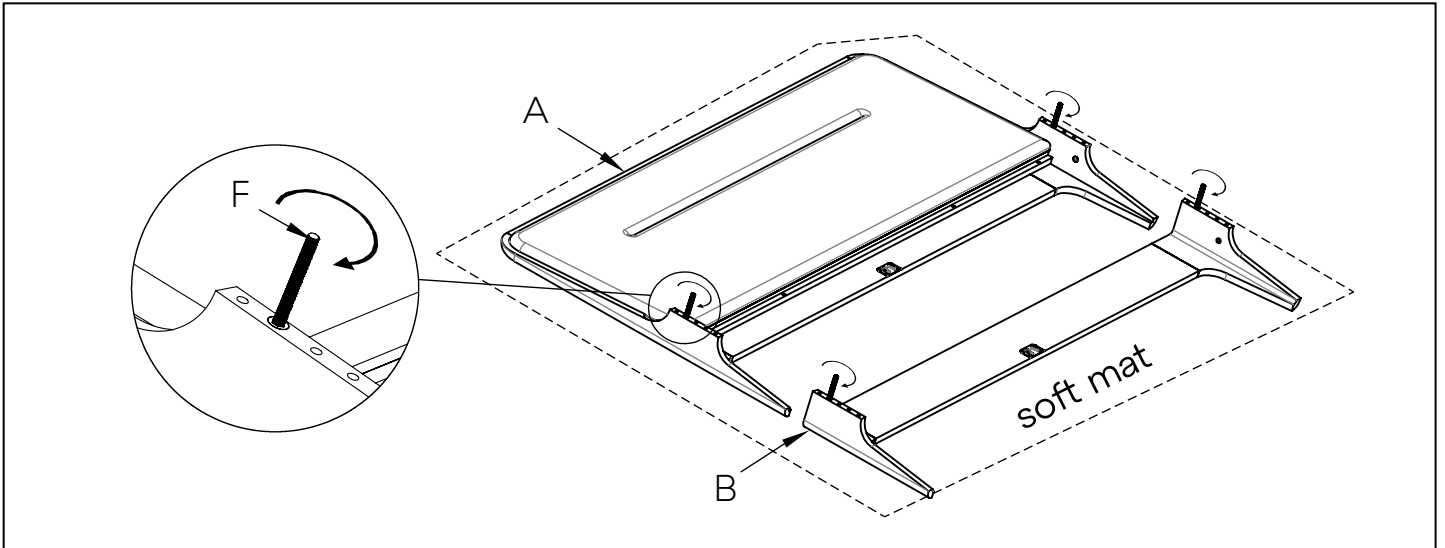
Tools overview



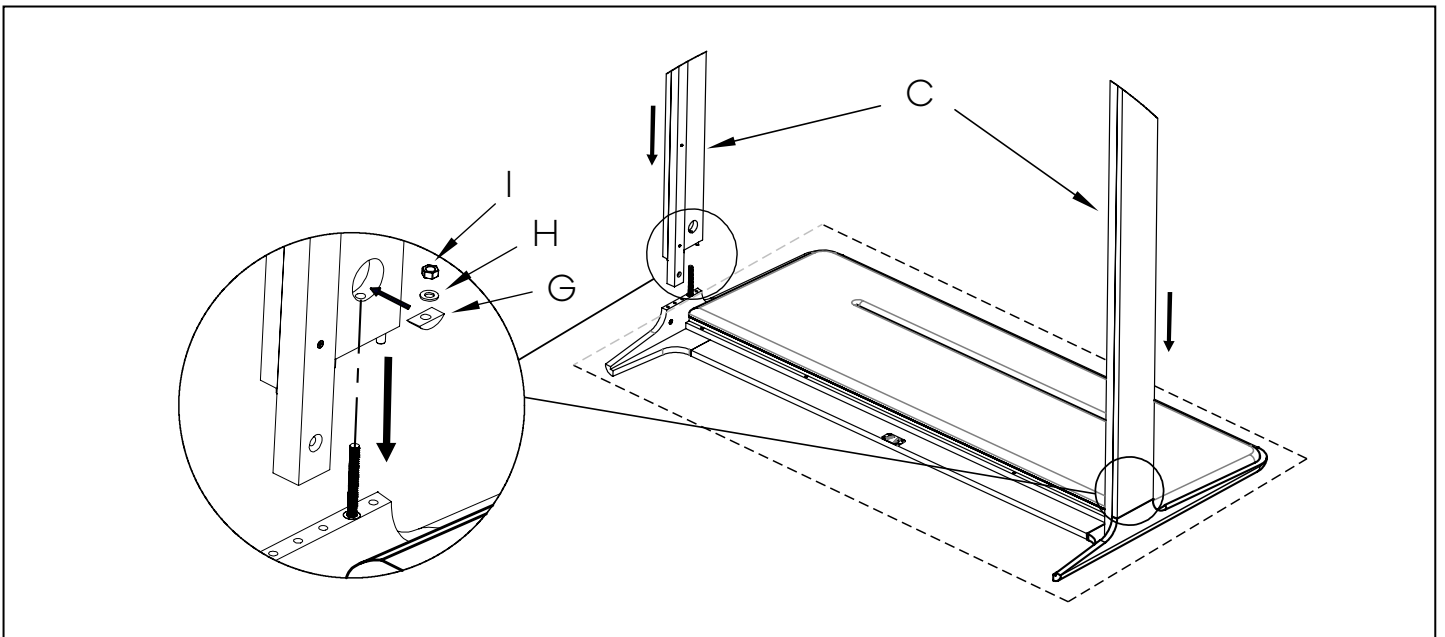
Fittings, product parts and additional information



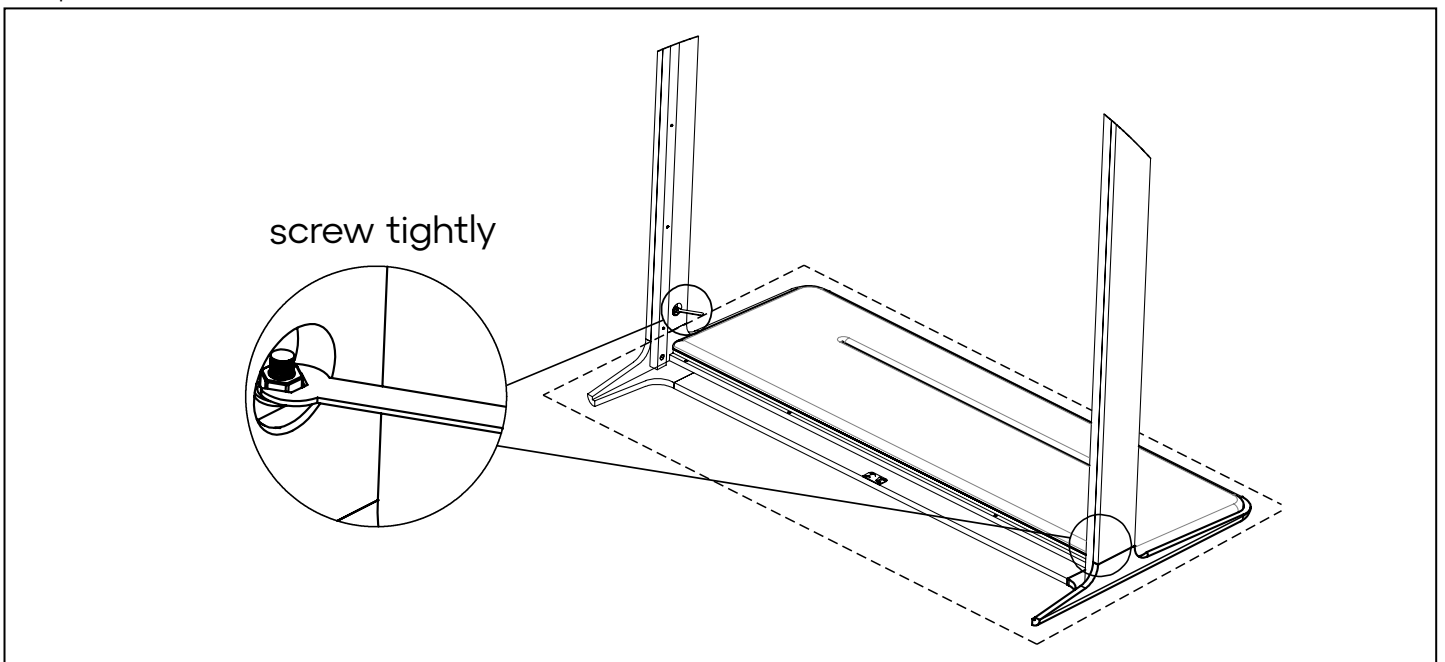
Step 1



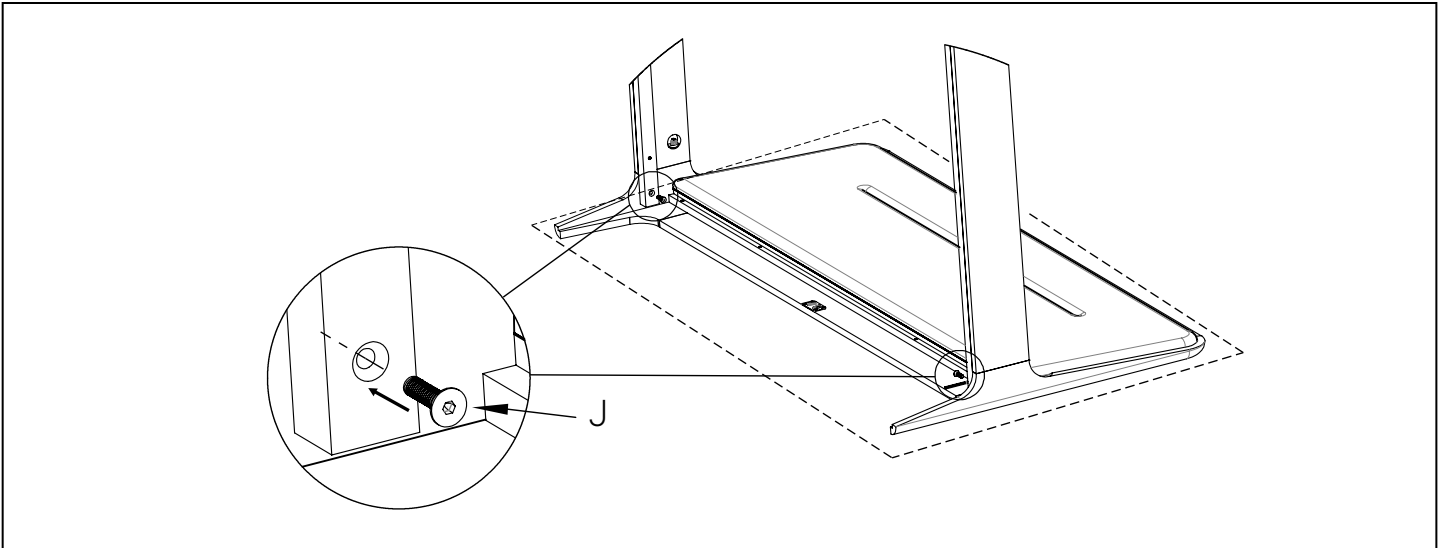
Step 2



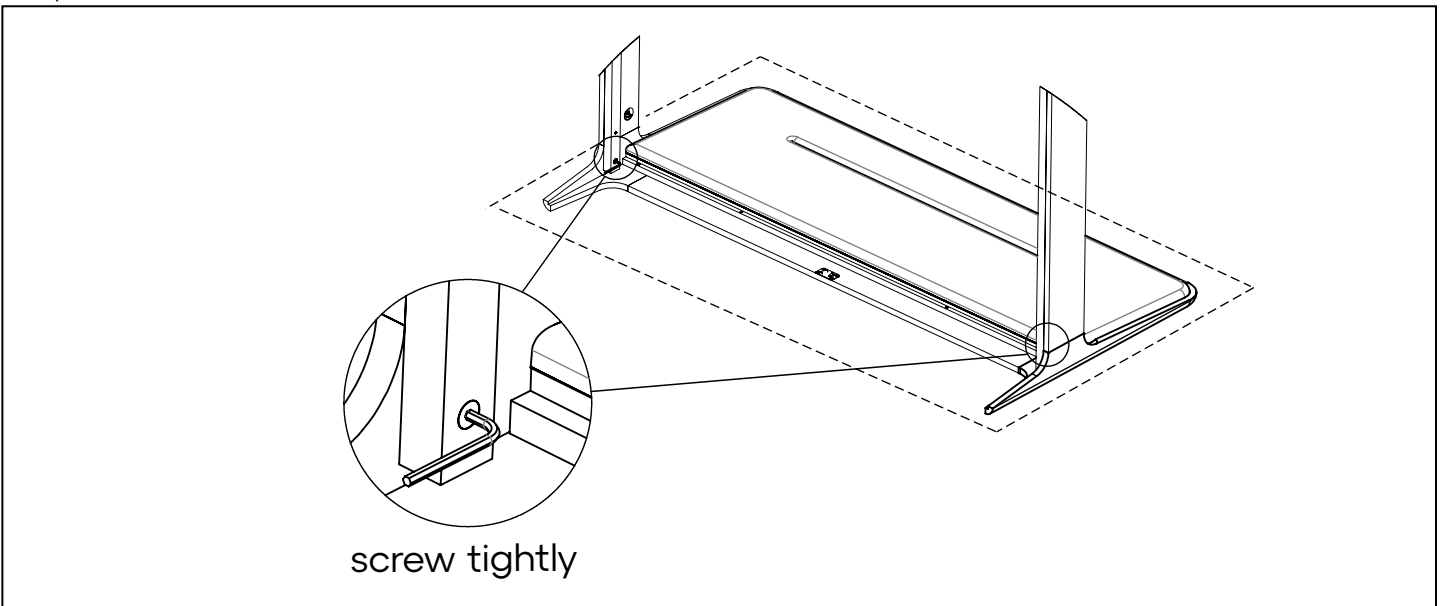
Step 3



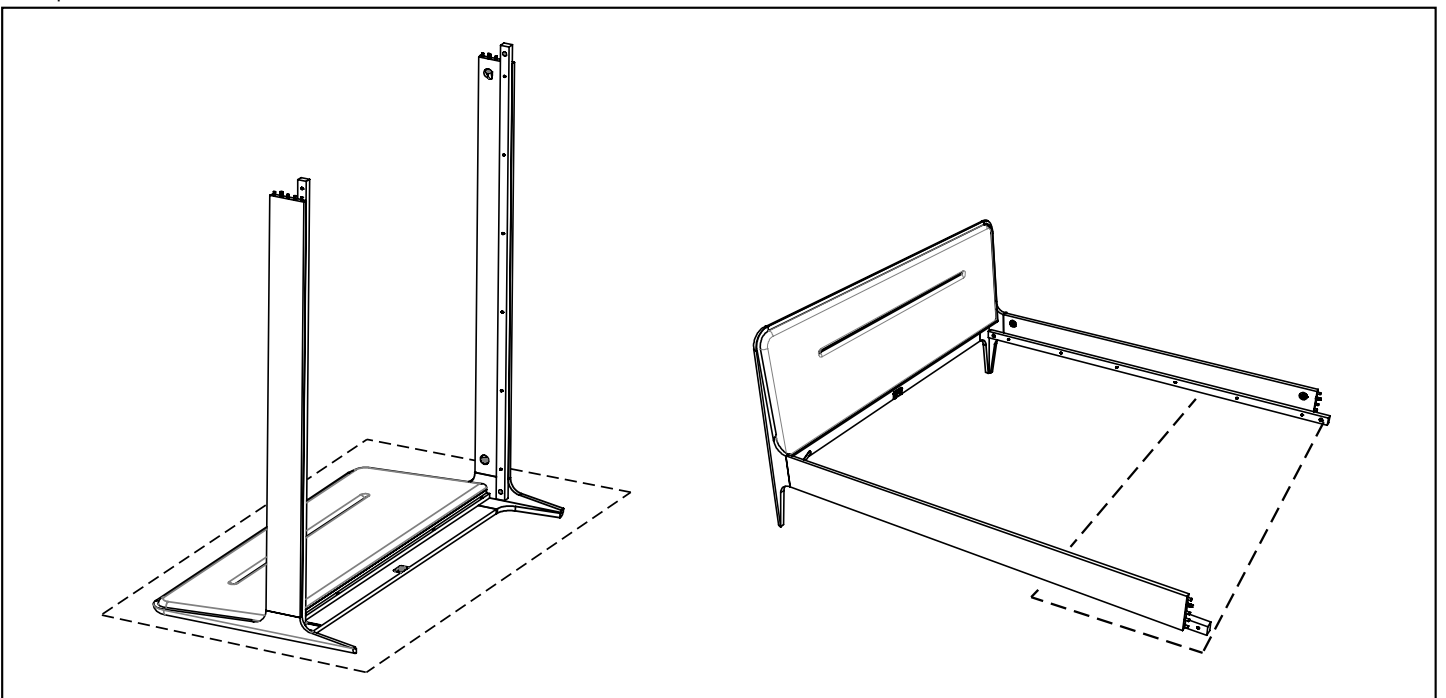
Step 4



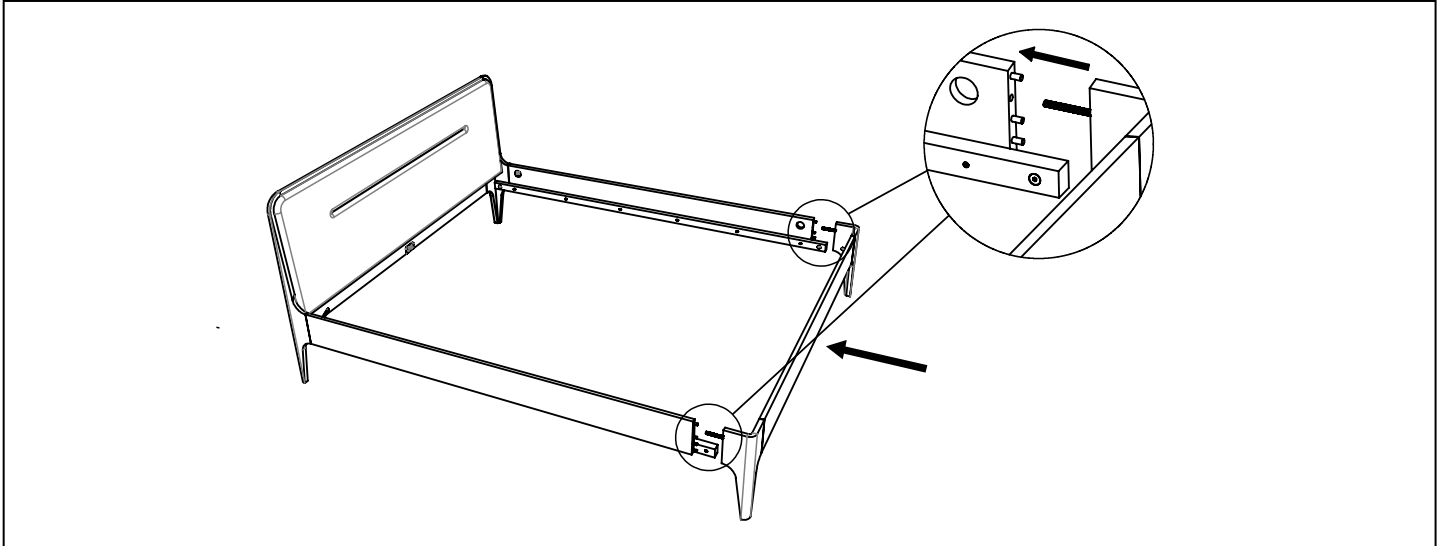
Step 5



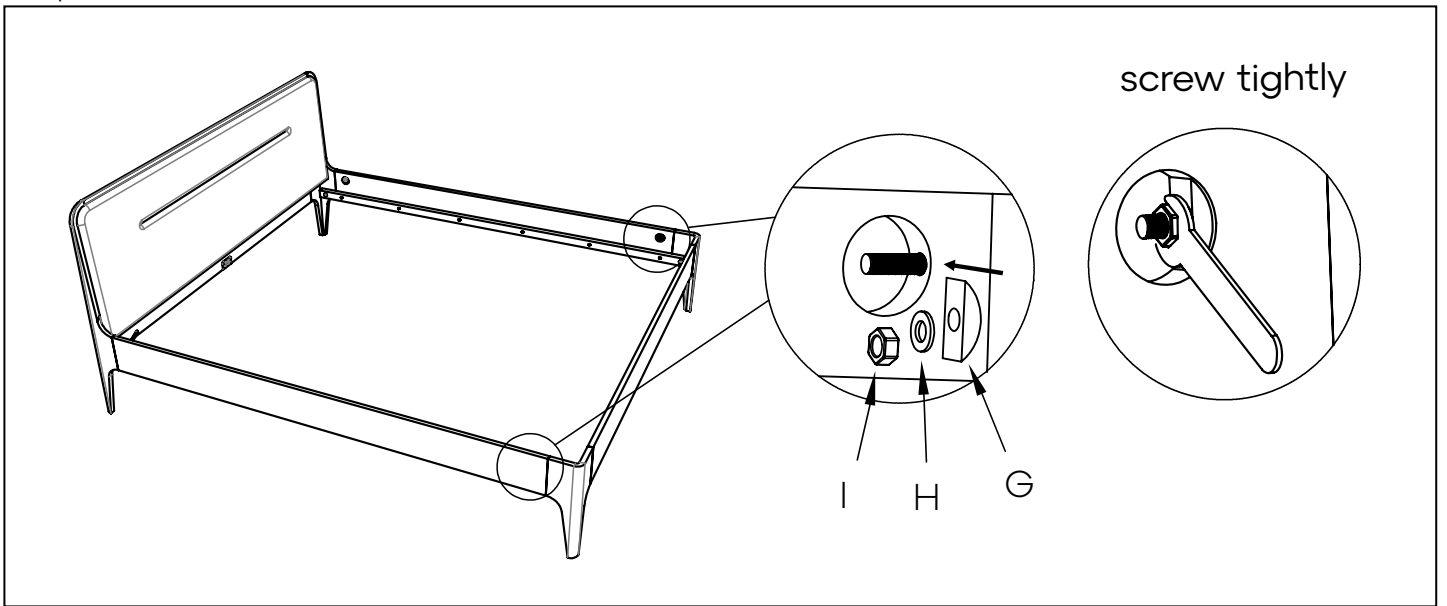
Step 6



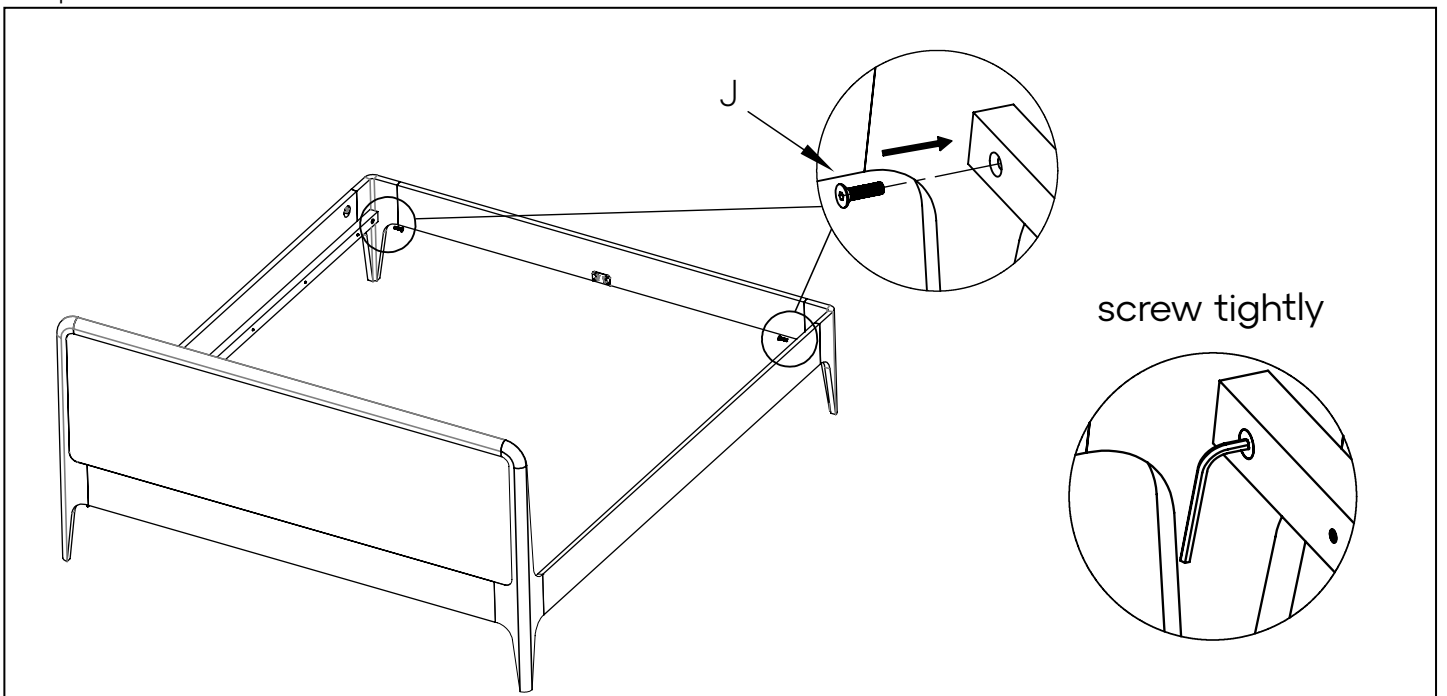
Step 7



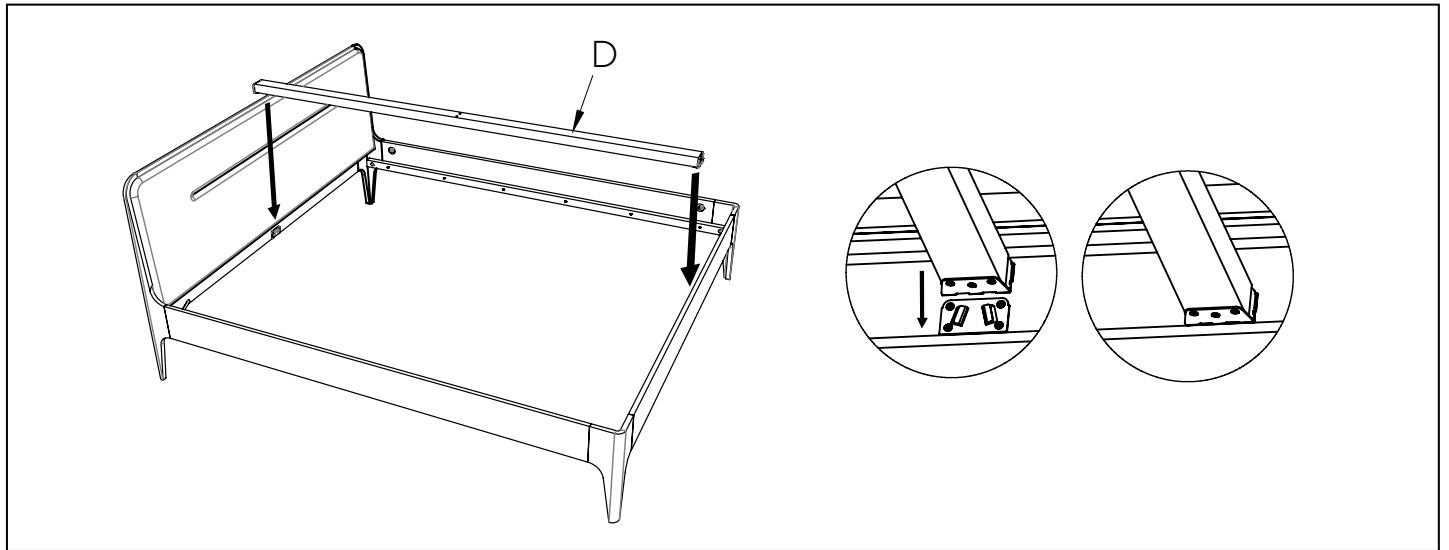
Step 8



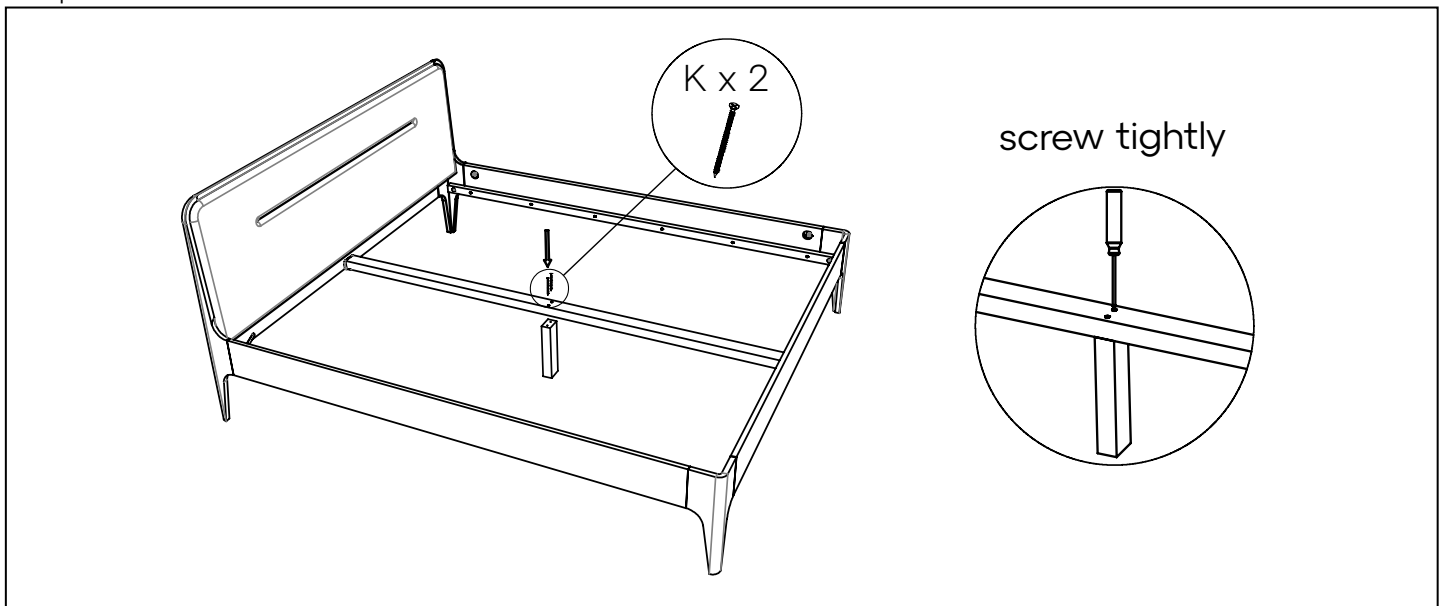
Step 9



Step 10



Step 11



Step 12

