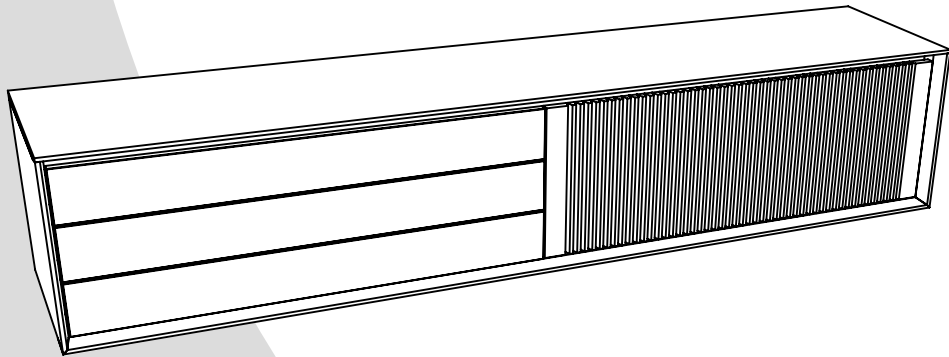
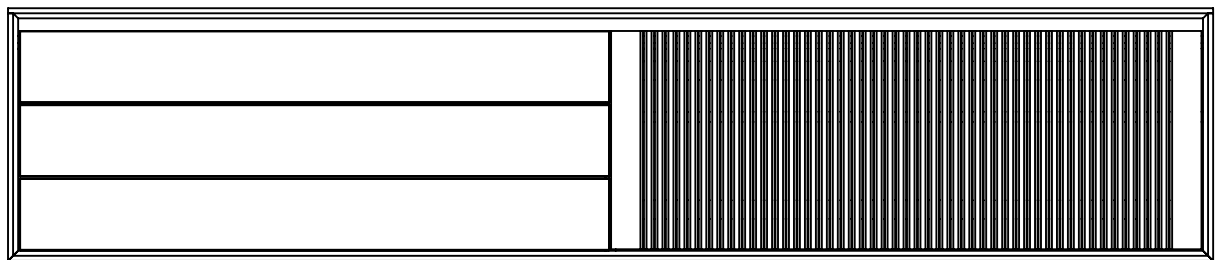
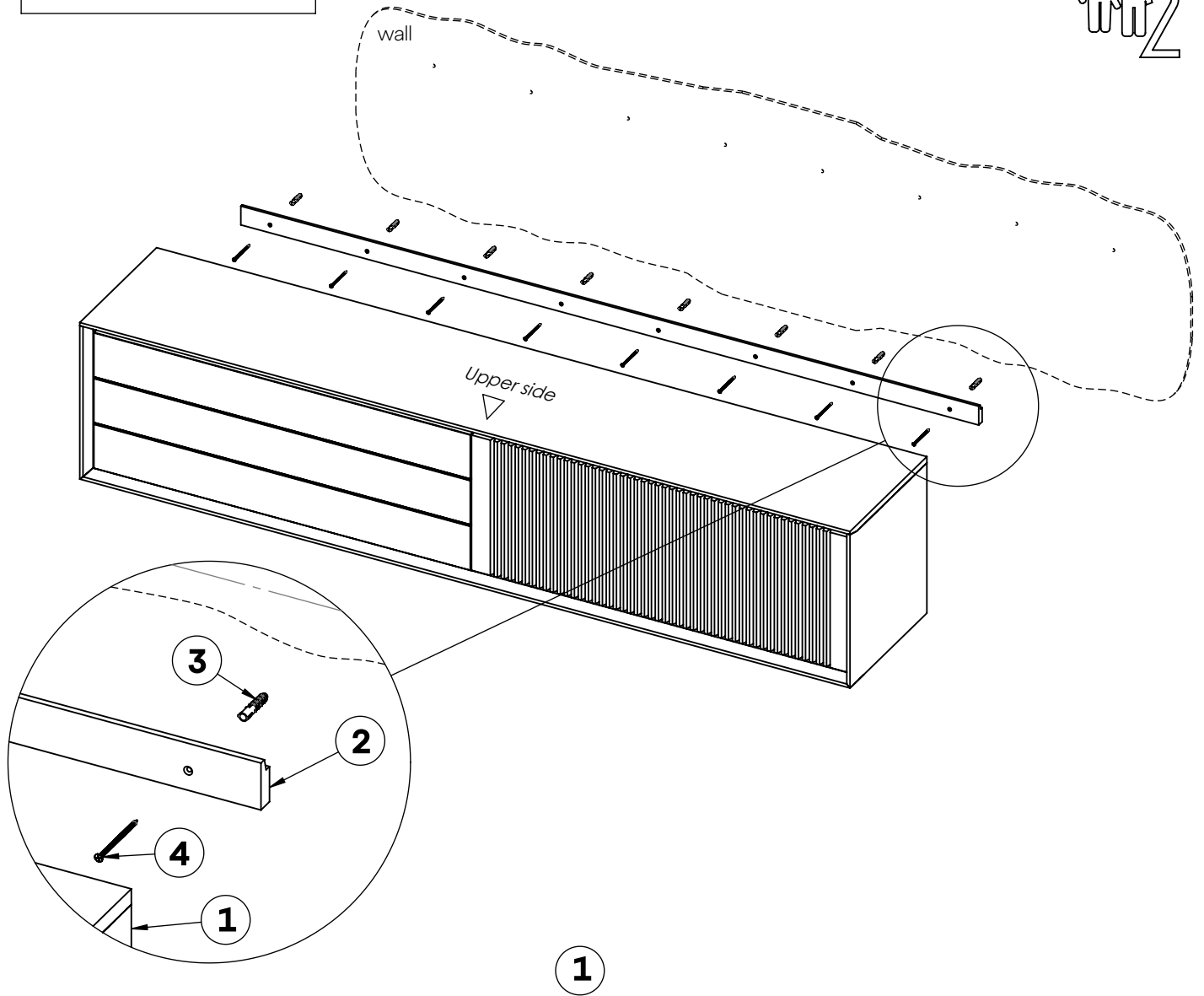


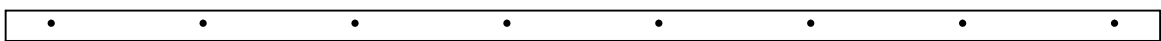
Wall Mount Assembly Manual
X-LINK Sideboard



Necessary tools

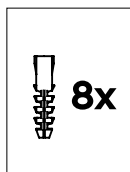


1



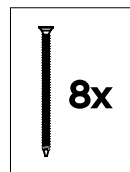
2

3



Not included

4



Not included

EN: User instructions

- ❑ before starting assembly, carefully read all instructions in this manual
- ❑ use caution when assembling
- ❑ check that all parts are included in the package
- ❑ assembly should be carried out by two people to ensure safety and efficiency



Warnings

- ❑ raw plugs and screws for wall fixation and sealing are **not included**
- ❑ it is imperative to ensure that the chosen fastening method is appropriate and secure for your specific home setup



Safety tips

- ❑ assemble the product on a flat, soft surface (e.g., carpet, blanket, or mat)
- ❑ do not overtighten screws
- ❑ keep small parts out of reach of children
- ❑ once assembled, check that all connections are tight and the structure is stable before use



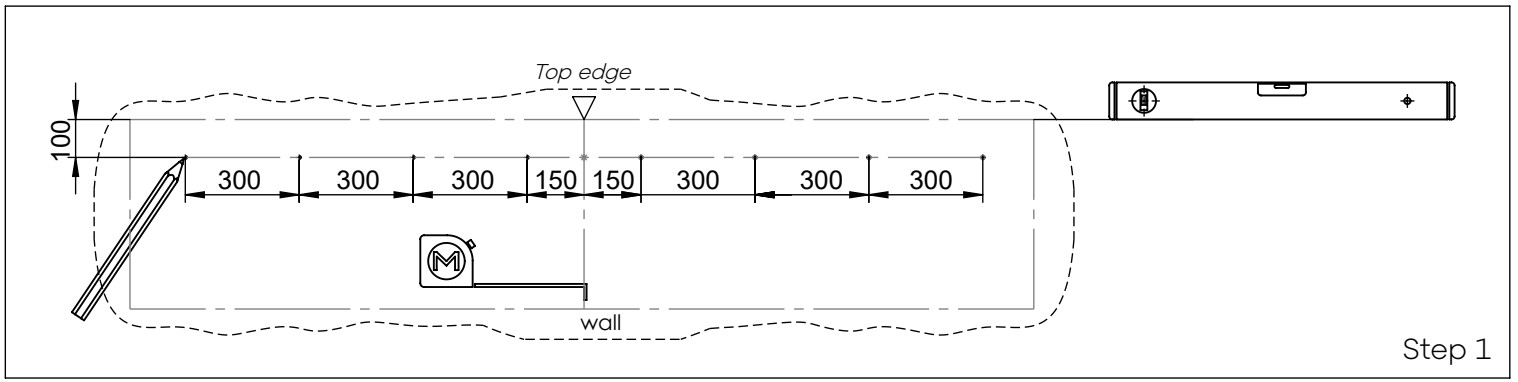
Note on regular maintenance

- ❑ periodically check and tighten all bolts to ensure ongoing stability and safety

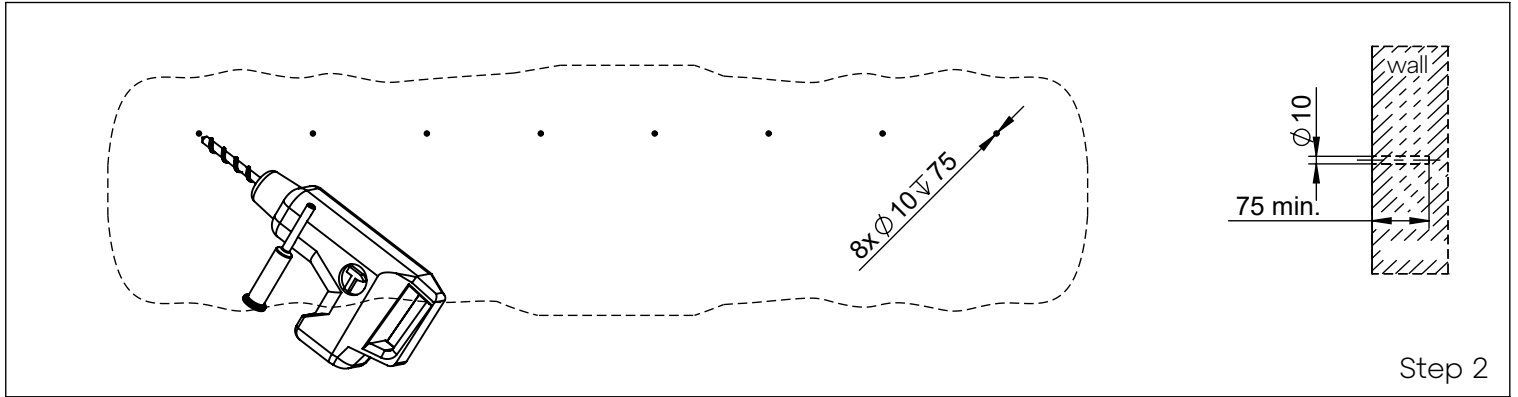


Eco/Packaging notice

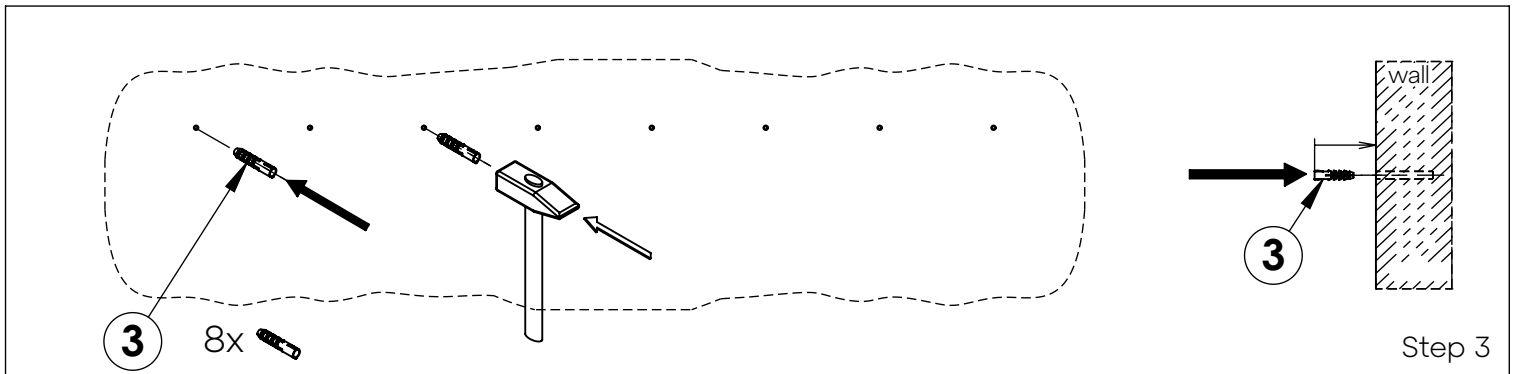
- ❑ please recycle all packaging materials according to your local guidelines.



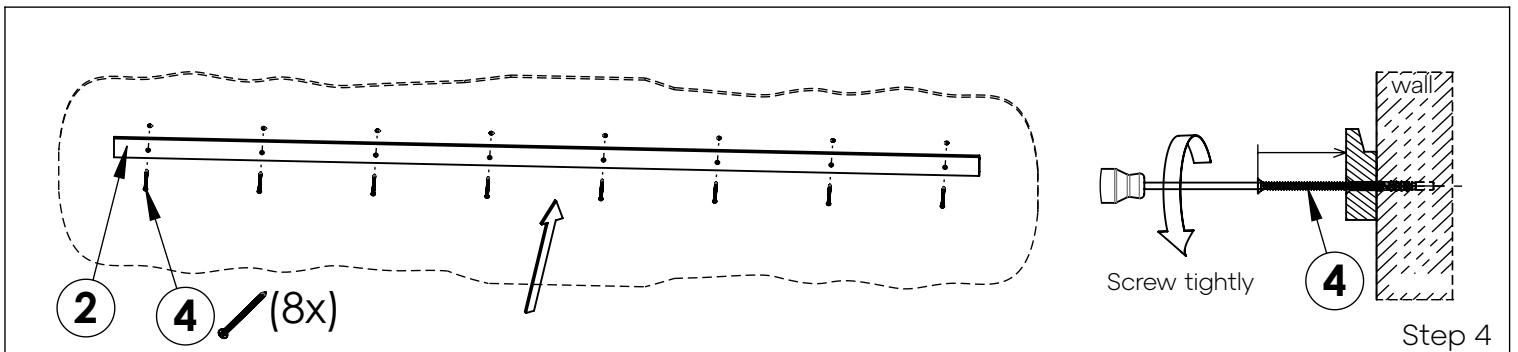
Step 1



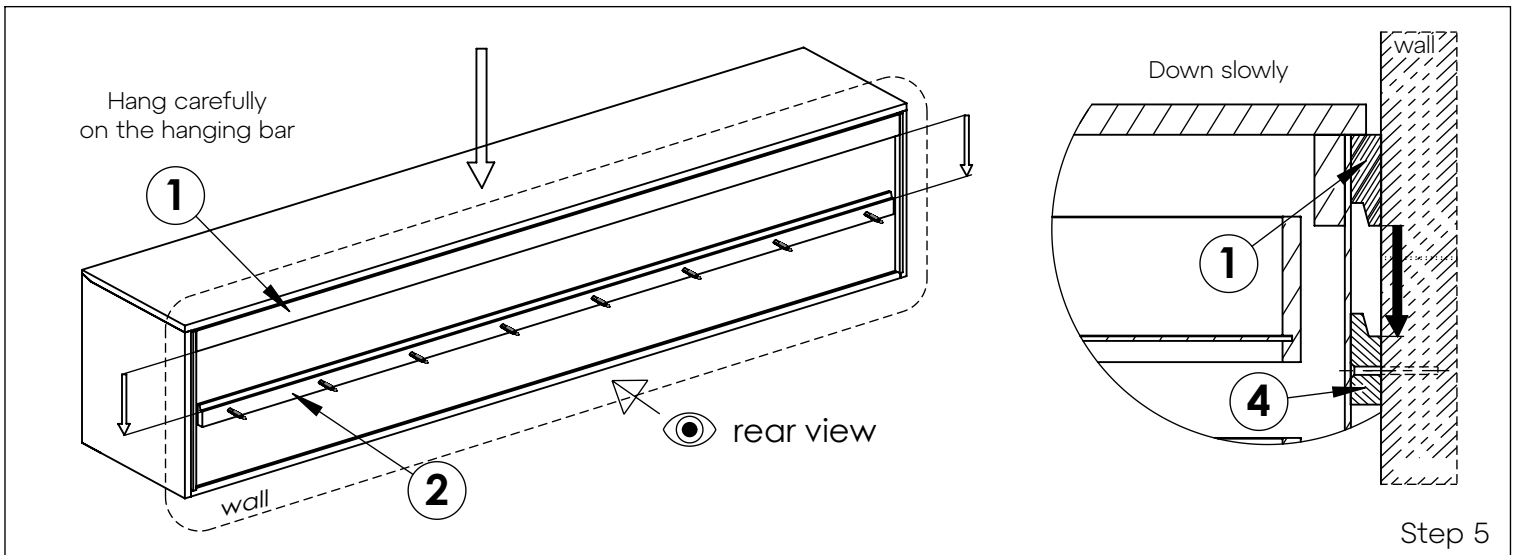
Step 2



Step 3



Step 4



Step 5

