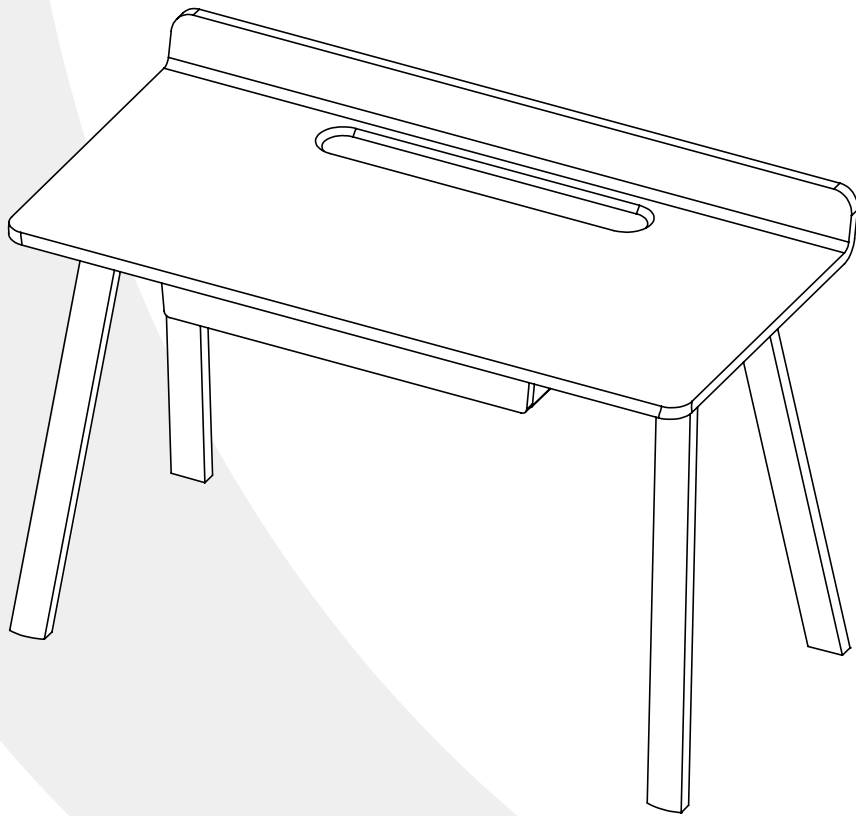


Assembly Manual

Desk Table



EN: User instructions

- ❑ before starting assembly, carefully read all instructions in this manual
- ❑ use caution when assembling
- ❑ check that all parts are included in the package
- ❑ assembly should be carried out by two people



Safety Tips

- ❑ do not overtighten screws
- ❑ keep small parts out of reach of children
- ❑ once assembled, check that all connections are tight and the structure is stable before use



Note on Regular Maintenance

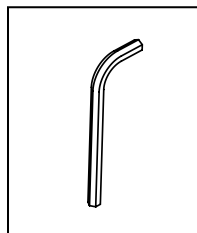
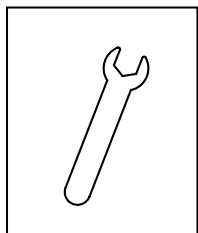
- ❑ periodically check and tighten all bolts to ensure ongoing stability and safety



Eco/Packaging Notice

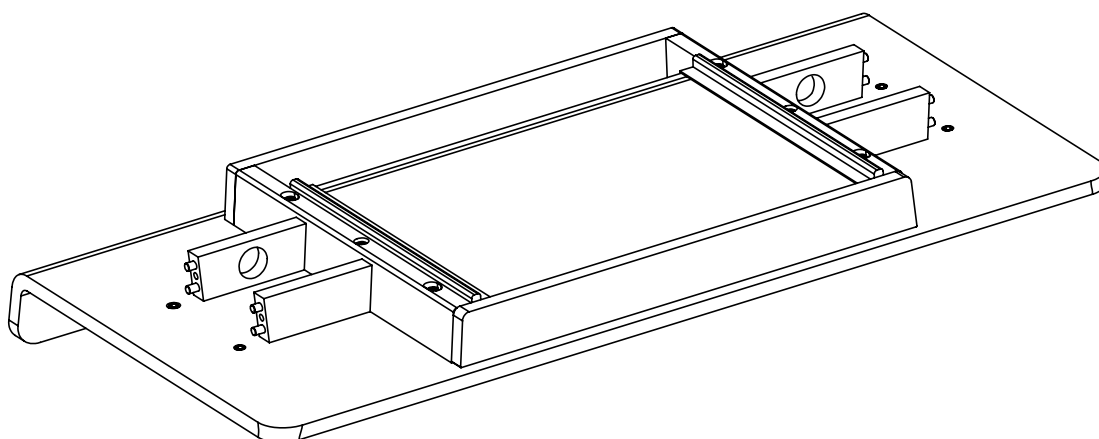
- ❑ please recycle all packaging materials according to your local guidelines.

Tools overview

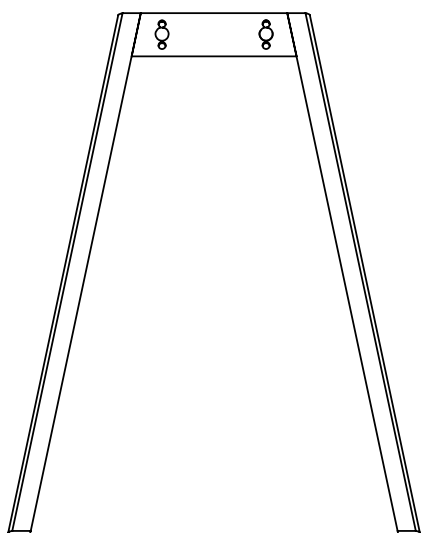


Fittings, product parts and additional information

A x 1



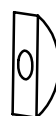
B x 2



C x 4



D x 4



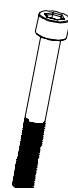
E x 4



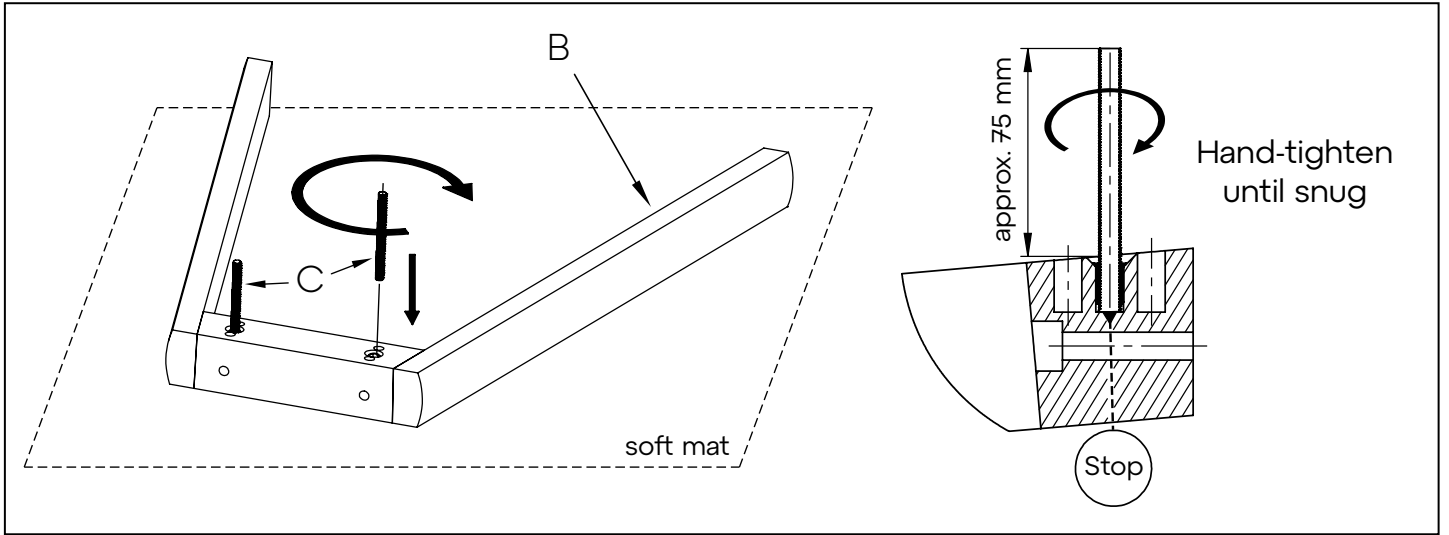
F x 4



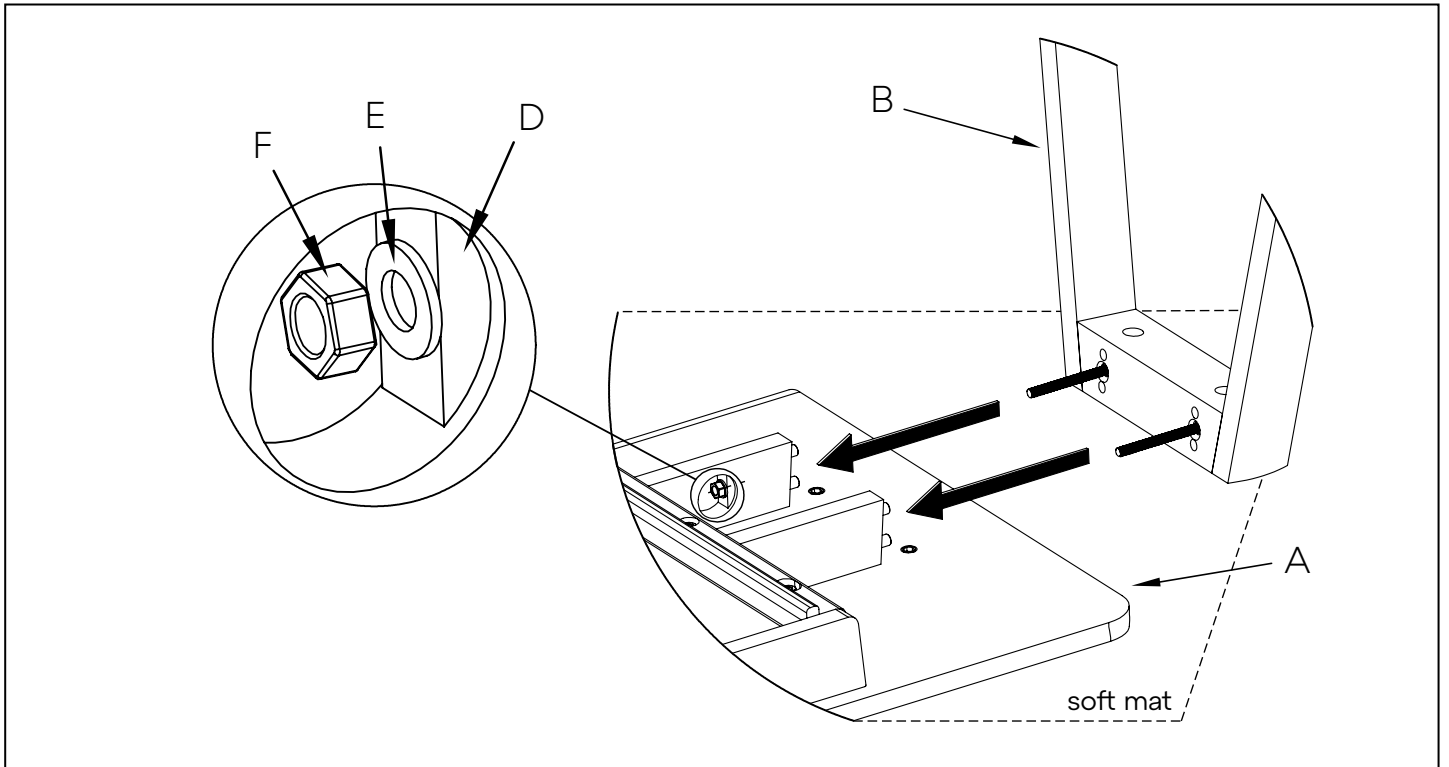
G x 4



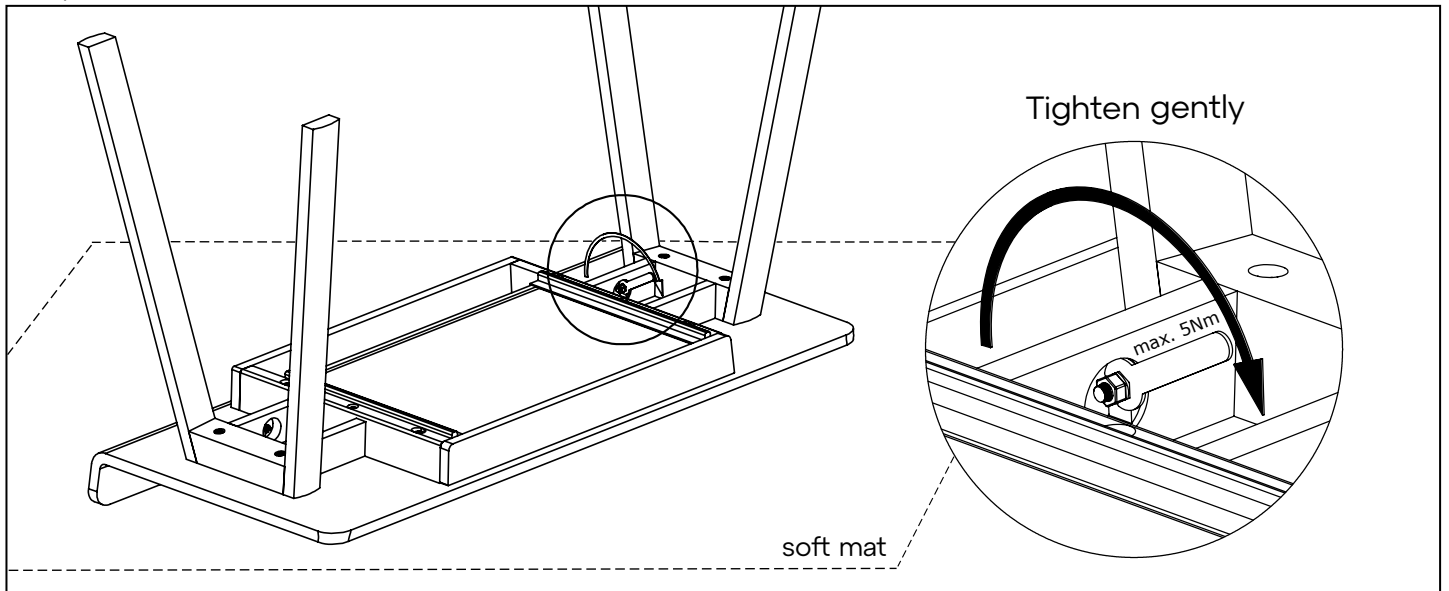
Step 1



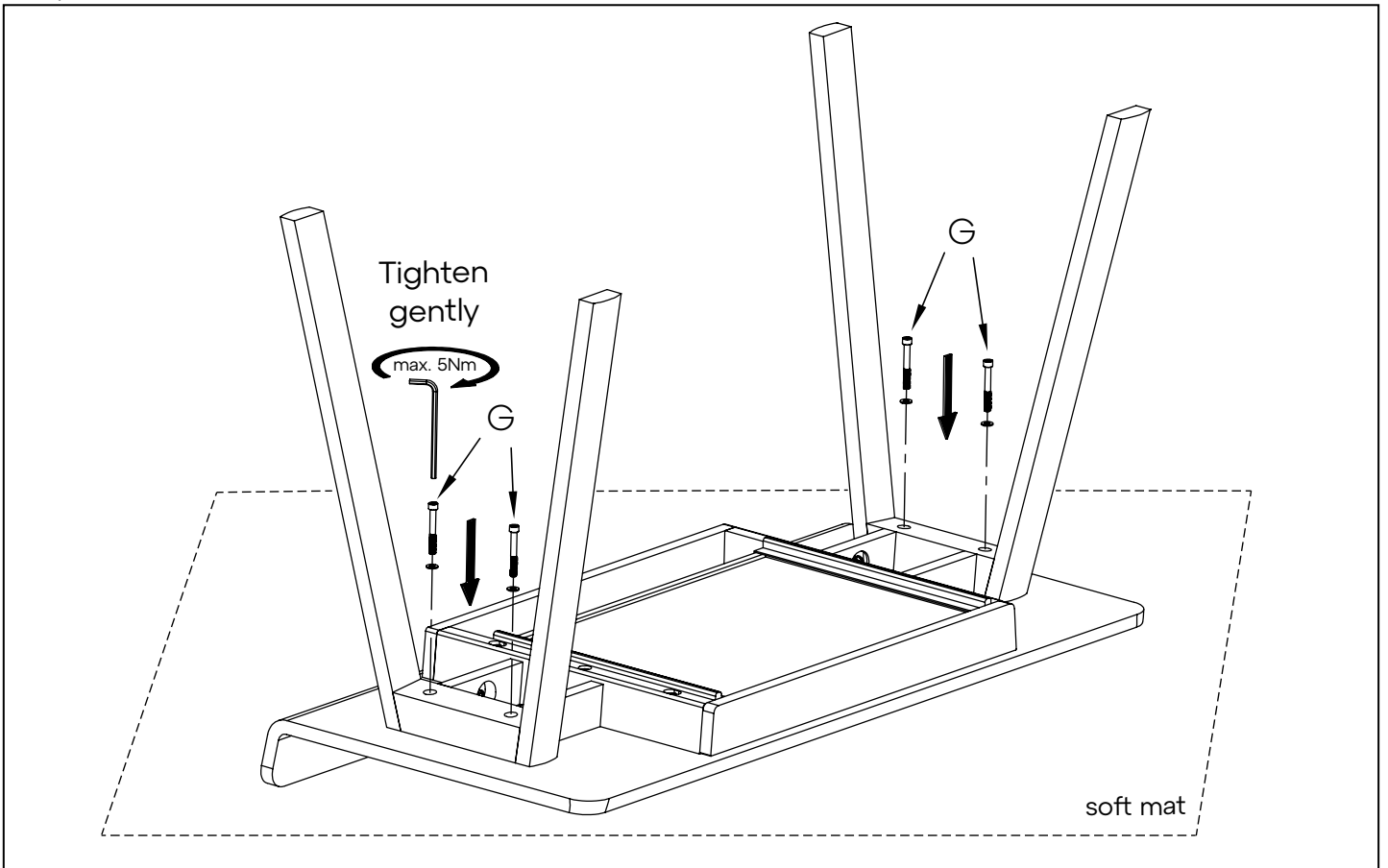
Step 2



Step 3



Step 4



Step 5

