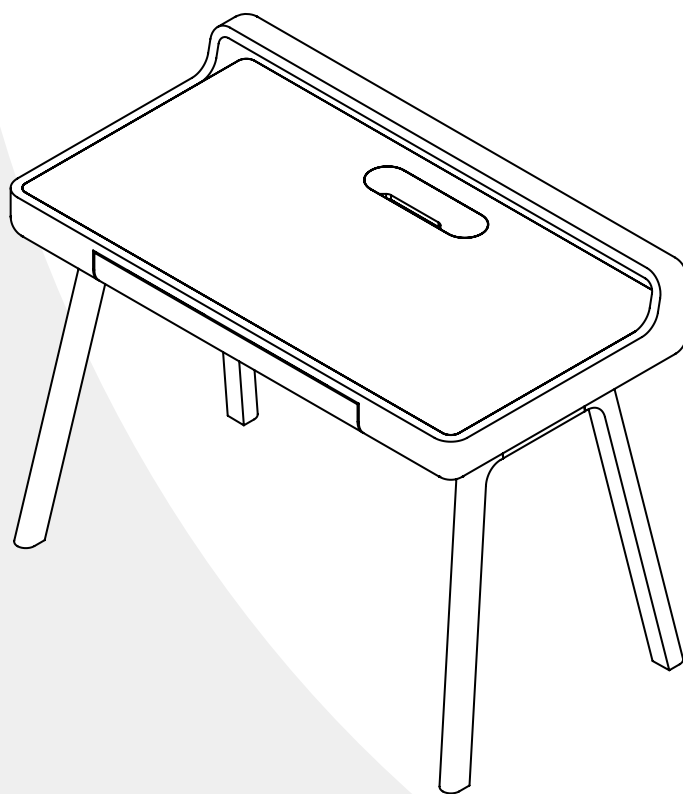


Assembly Manual

Flow Table



EN: User instructions

- ❑ before starting assembly, carefully read all instructions in this manual
- ❑ use caution when assembling
- ❑ check that all parts are included in the package
- ❑ assembly should be carried out by two people



Safety Tips

- ❑ do not overtighten screws
- ❑ keep small parts out of reach of children
- ❑ once assembled, check that all connections are tight and the structure is stable before use



Note on Regular Maintenance

- ❑ periodically check and tighten all bolts to ensure ongoing stability and safety

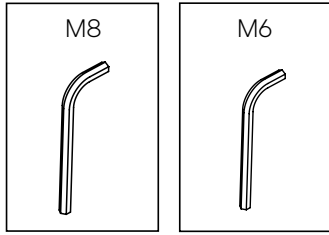


Eco/Packaging Notice

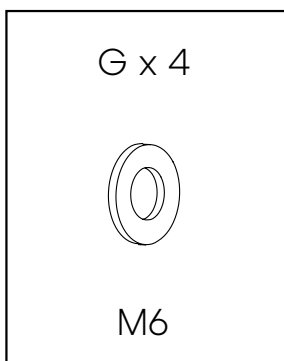
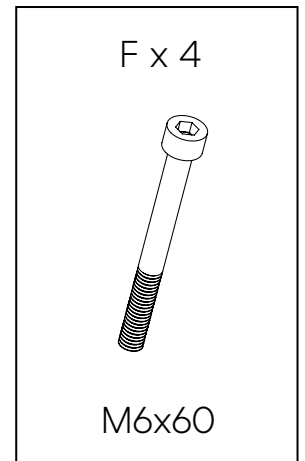
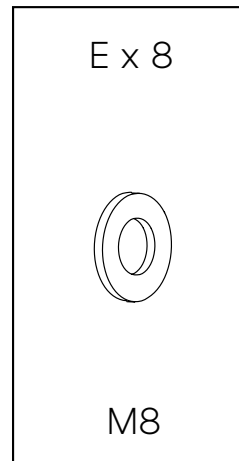
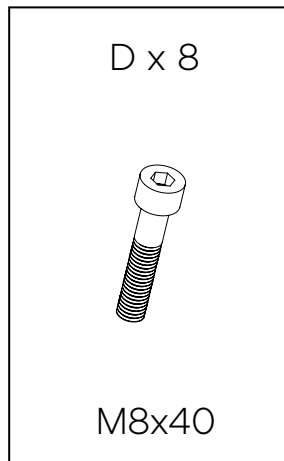
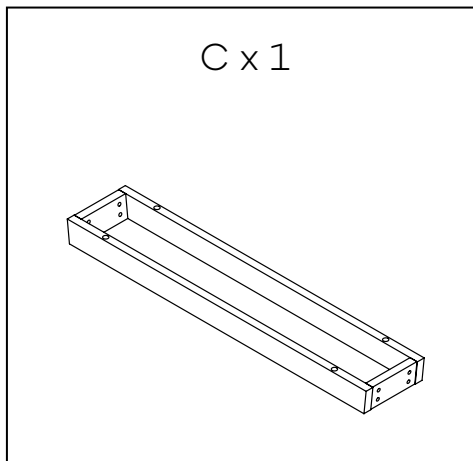
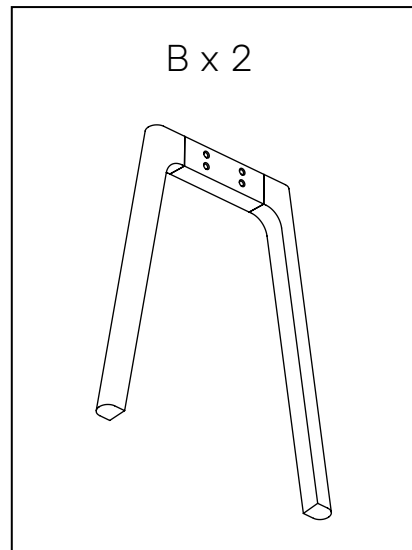
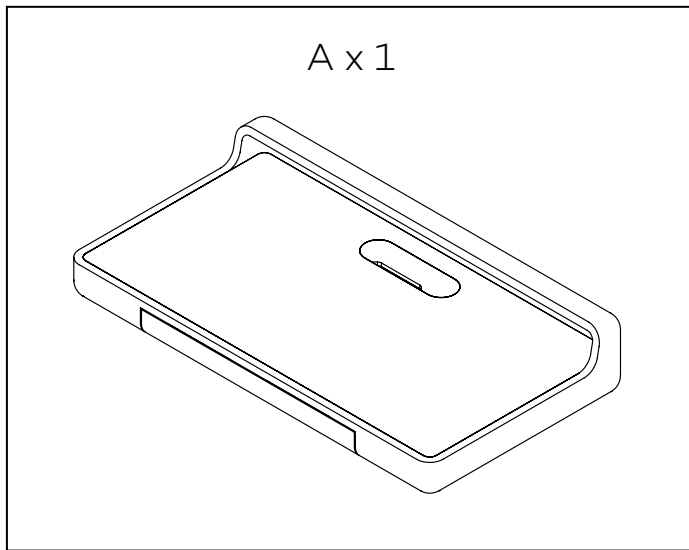
- ❑ please recycle all packaging materials according to your local guidelines.

Tools, fittings and products parts

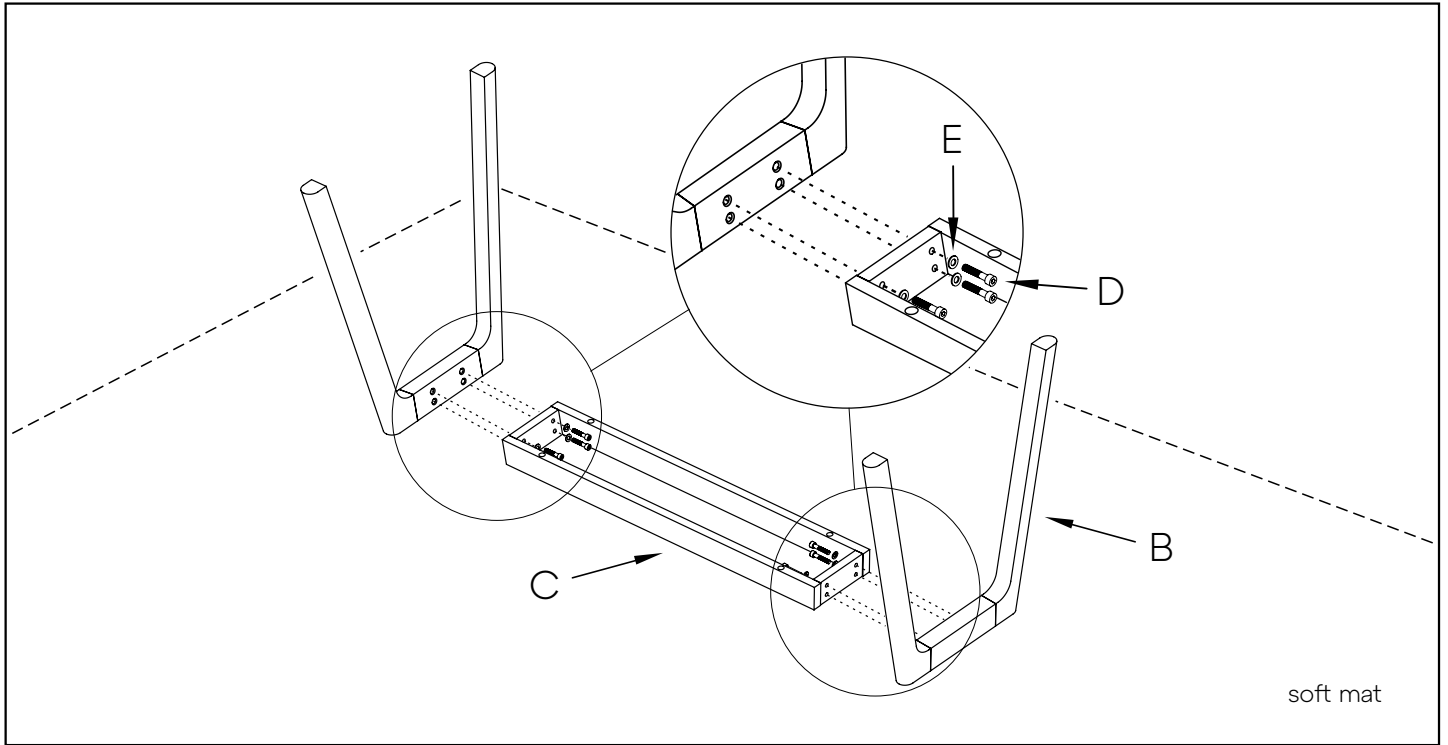
Tools overview



Fittings and product parts



Step 1



Step 2

