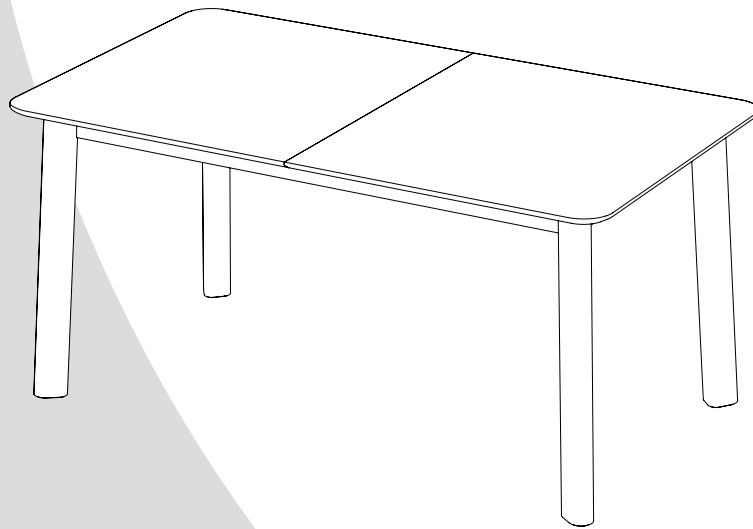


Assembly instructions

# Menu Extendable Table



- ❑ before starting assembly, carefully read all instructions in this manual
- ❑ use caution when assembling
- ❑ check that all parts are included in the package
- ❑ assembly should be carried out by two people to ensure safety and efficiency



### Safety Tips

- ❑ assemble the product on a flat, soft surface (e.g., carpet, blanket, or mat)
- ❑ do not overtighten screws
- ❑ keep small parts out of reach of children
- ❑ once assembled, check that all connections are tight and the structure is stable before use



### Note on Regular Maintenance

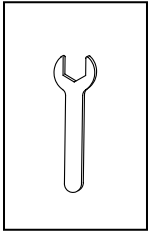
- ❑ periodically check and tighten all bolts to ensure ongoing stability and safety



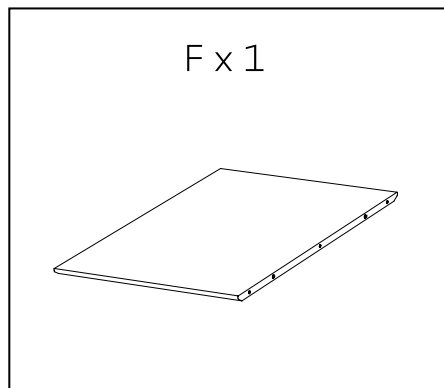
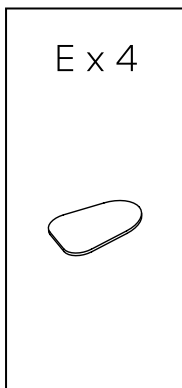
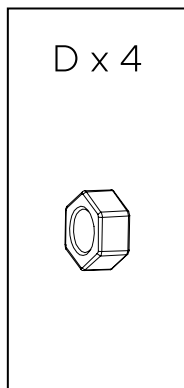
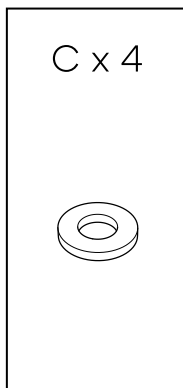
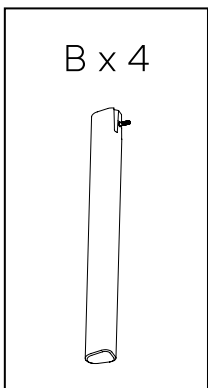
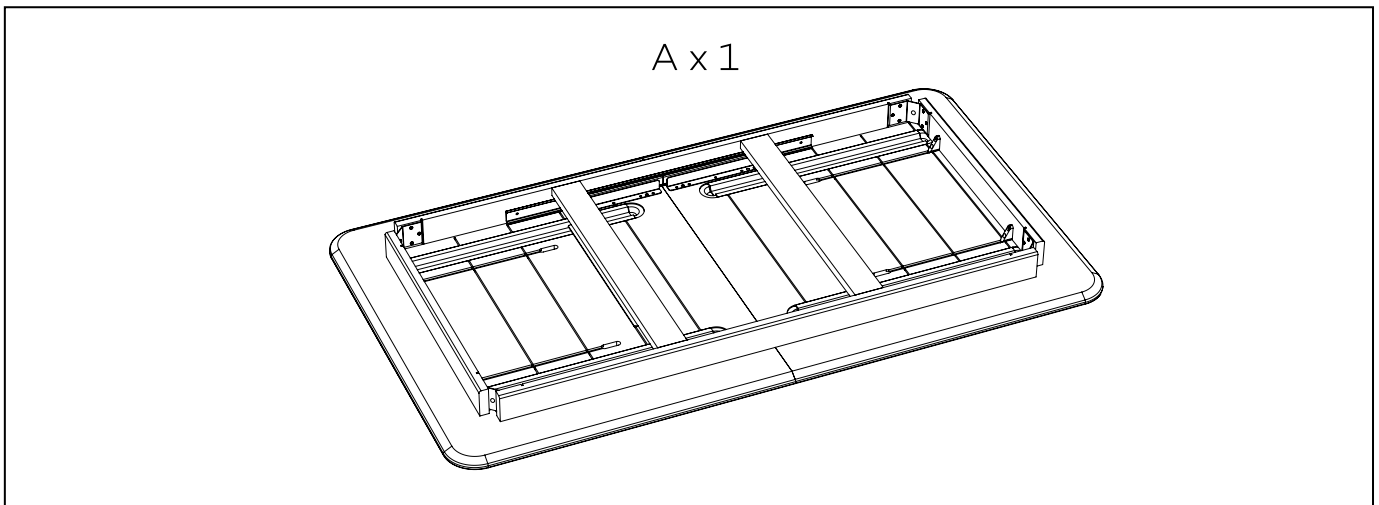
### Eco/Packaging Notice

- ❑ please recycle all packaging materials according to your local guidelines
-

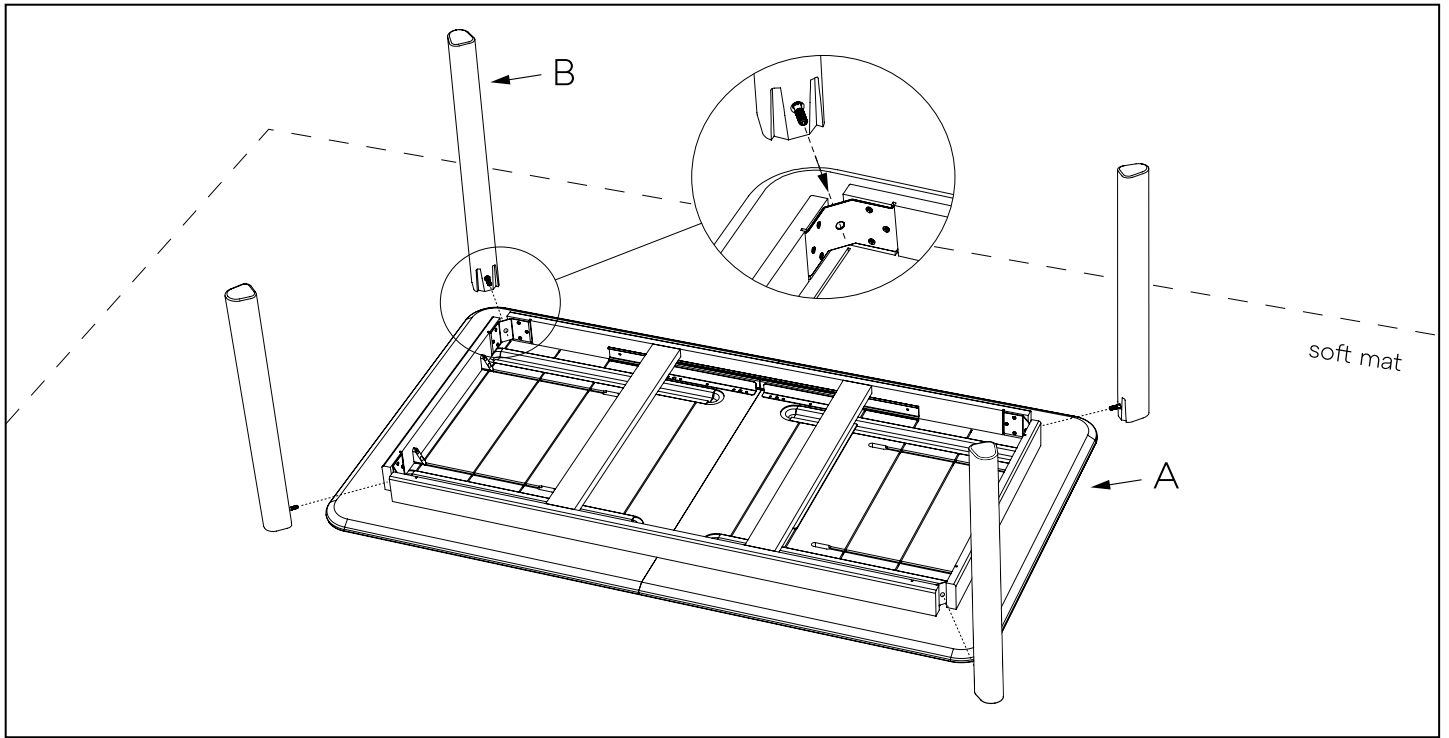
Tools overview



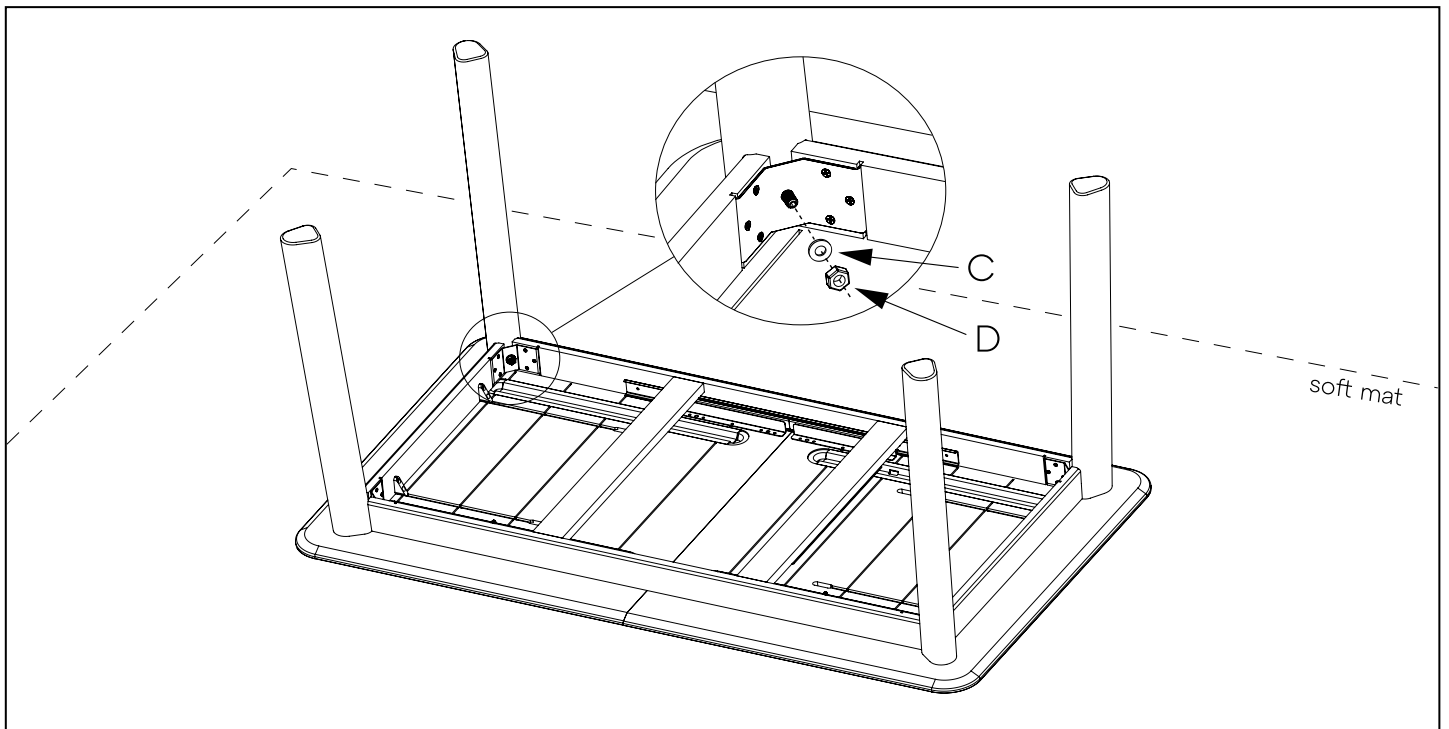
Fittings and product parts



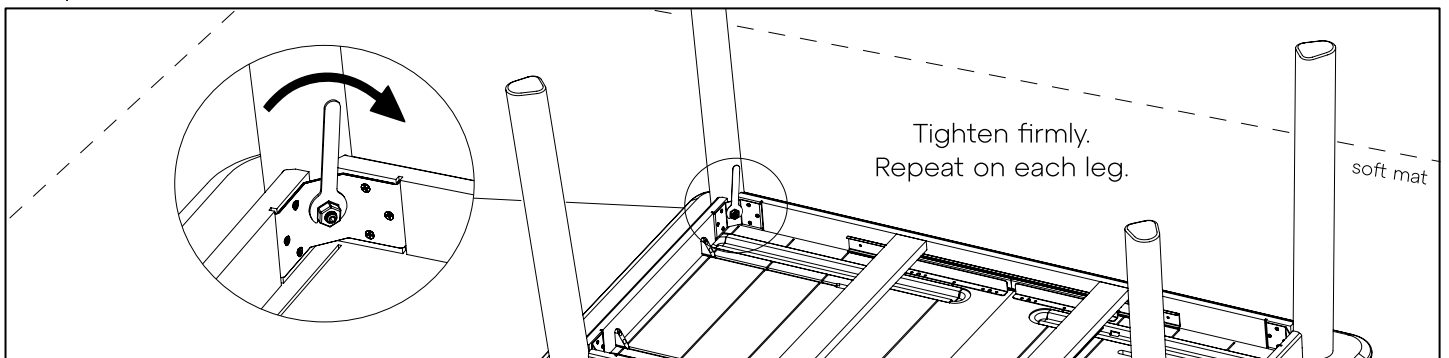
### Step 1



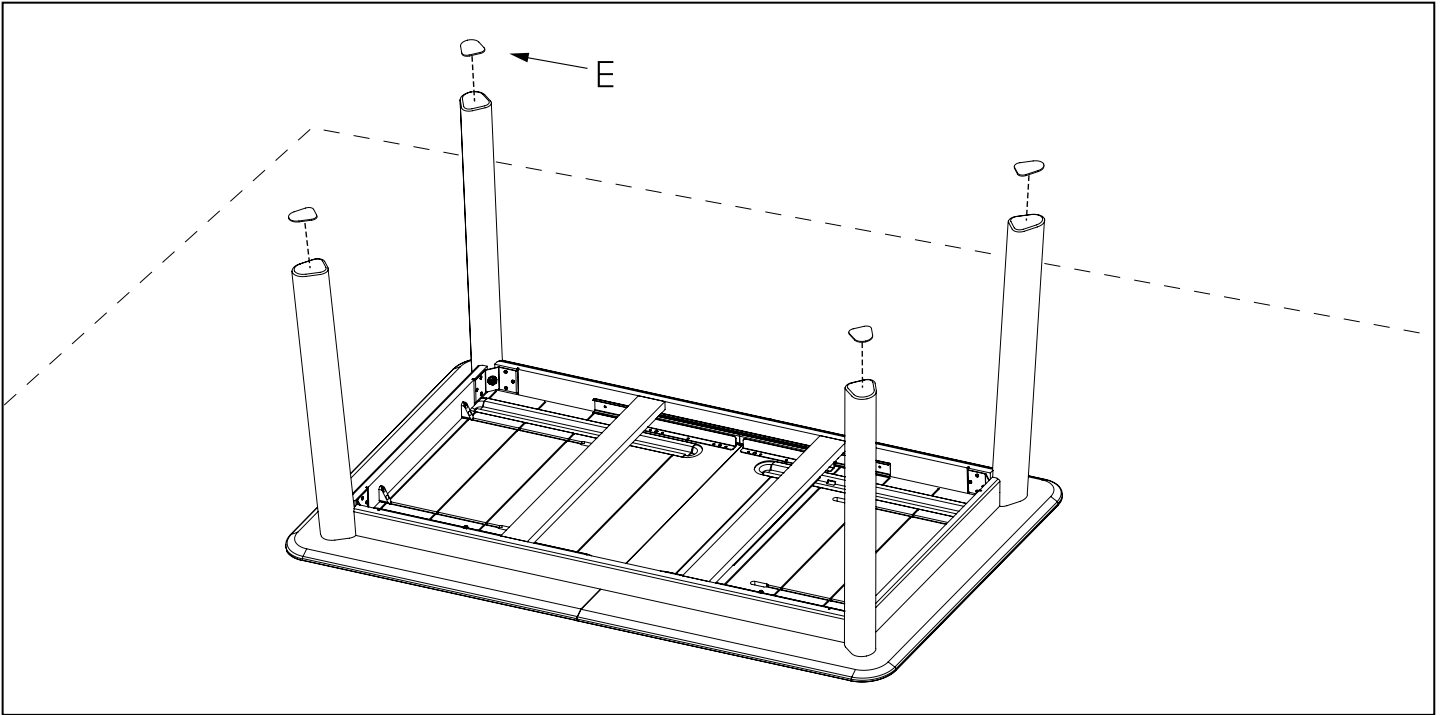
### Step 2



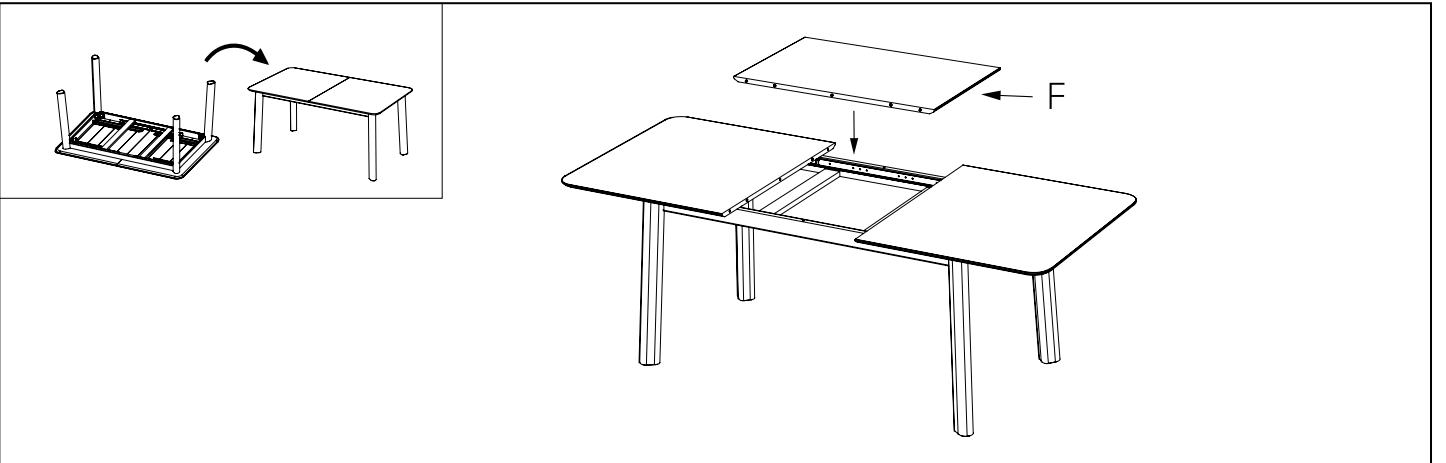
### Step 3



Step 4



Step 5



Step 6

