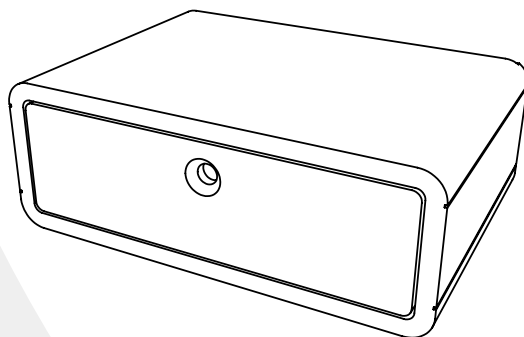


Assembly Manual

TERRA Bedside table



EN: User instructions

- ☒ before starting assembly, carefully read all instructions in this manual
- ☒ use caution when assembling
- ☒ check that all parts are included in the package
- ☒ assembly should be carried out by two people

Warnings

- ☒ raw plugs and screws for wall fixation are **not included**
- ☒ it is imperative to ensure that the chosen fastening method is appropriate and secure for your specific home setup

Safety Tips

- ☒ do not overtighten screws
- ☒ keep small parts out of reach of children
- ☒ once assembled, check that all connections are tight and the structure is stable before use

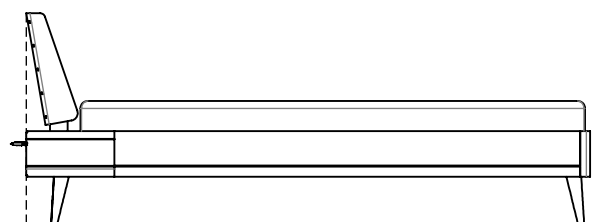
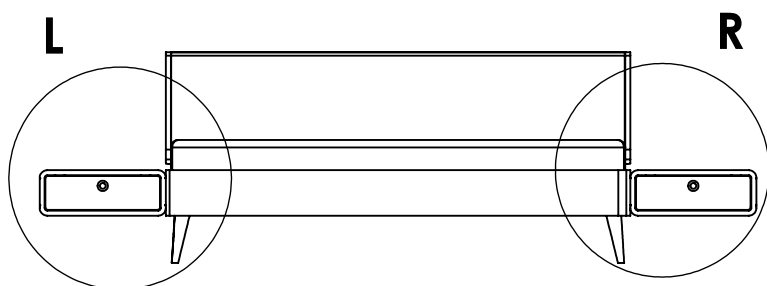
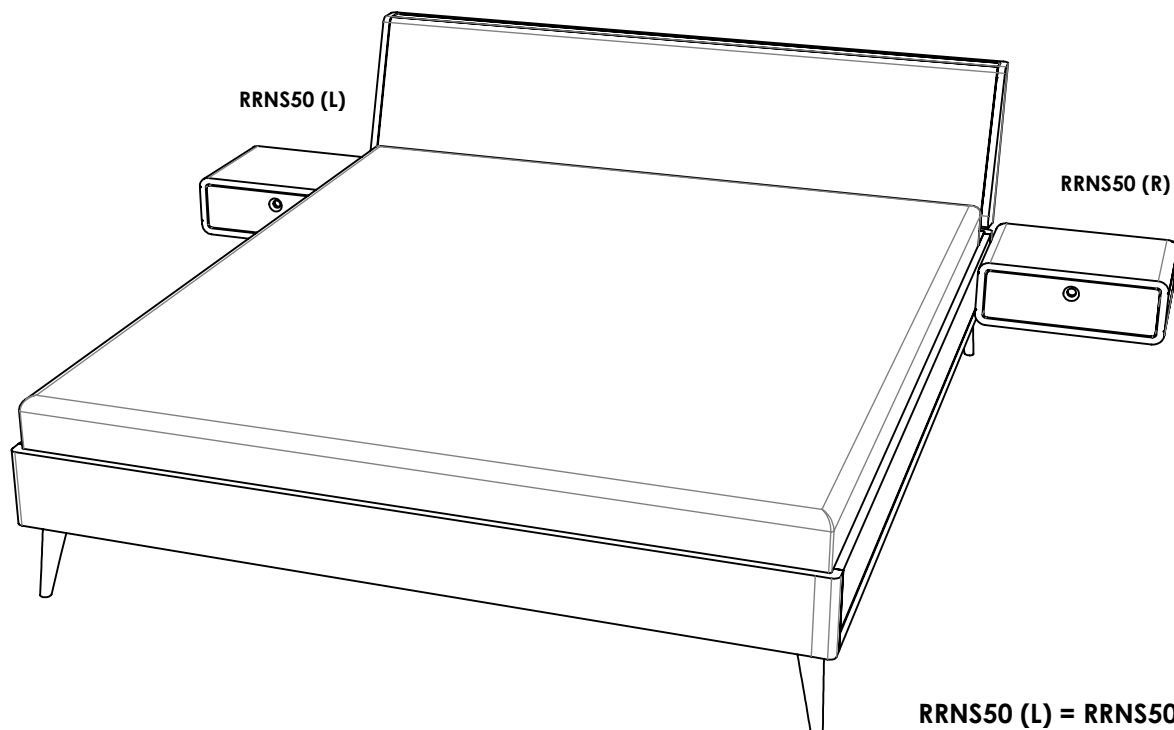
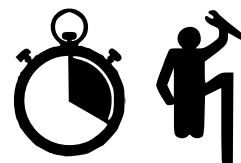
Note on Regular Maintenance

- ☒ periodically check and tighten all bolts to ensure ongoing stability and safety

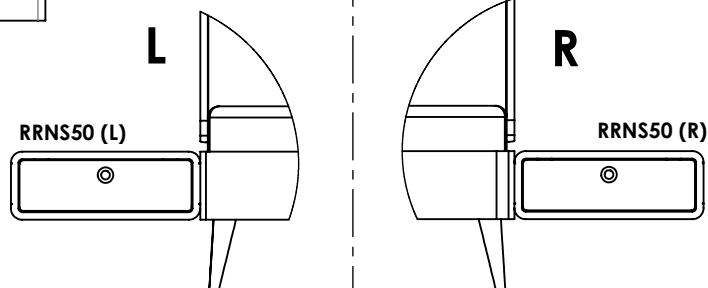
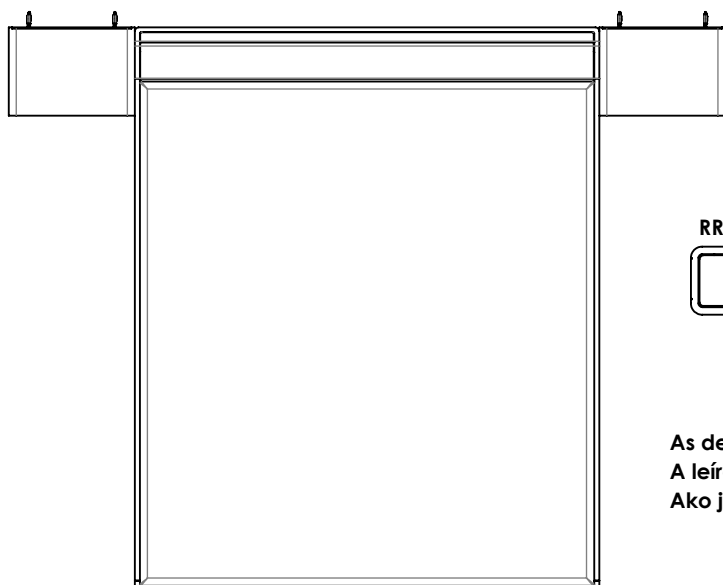
Eco/Packaging Notice

- ☒ please recycle all packaging materials according to your local guidelines.

ENI Wall mounting; *IDEI* Wandmontage; *IHUI* Falra szerelés;
IPLI Montaż naścienny; *ISKI* Montáž na stenu; *ICZI* Montáž na zed'

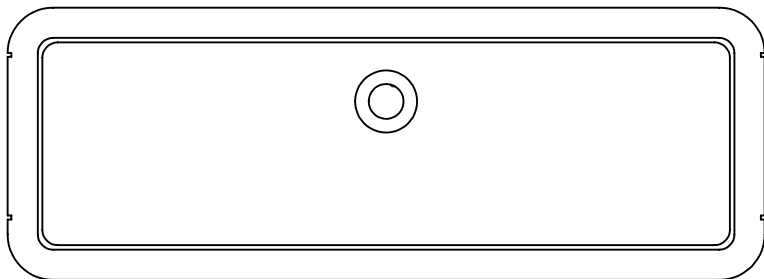
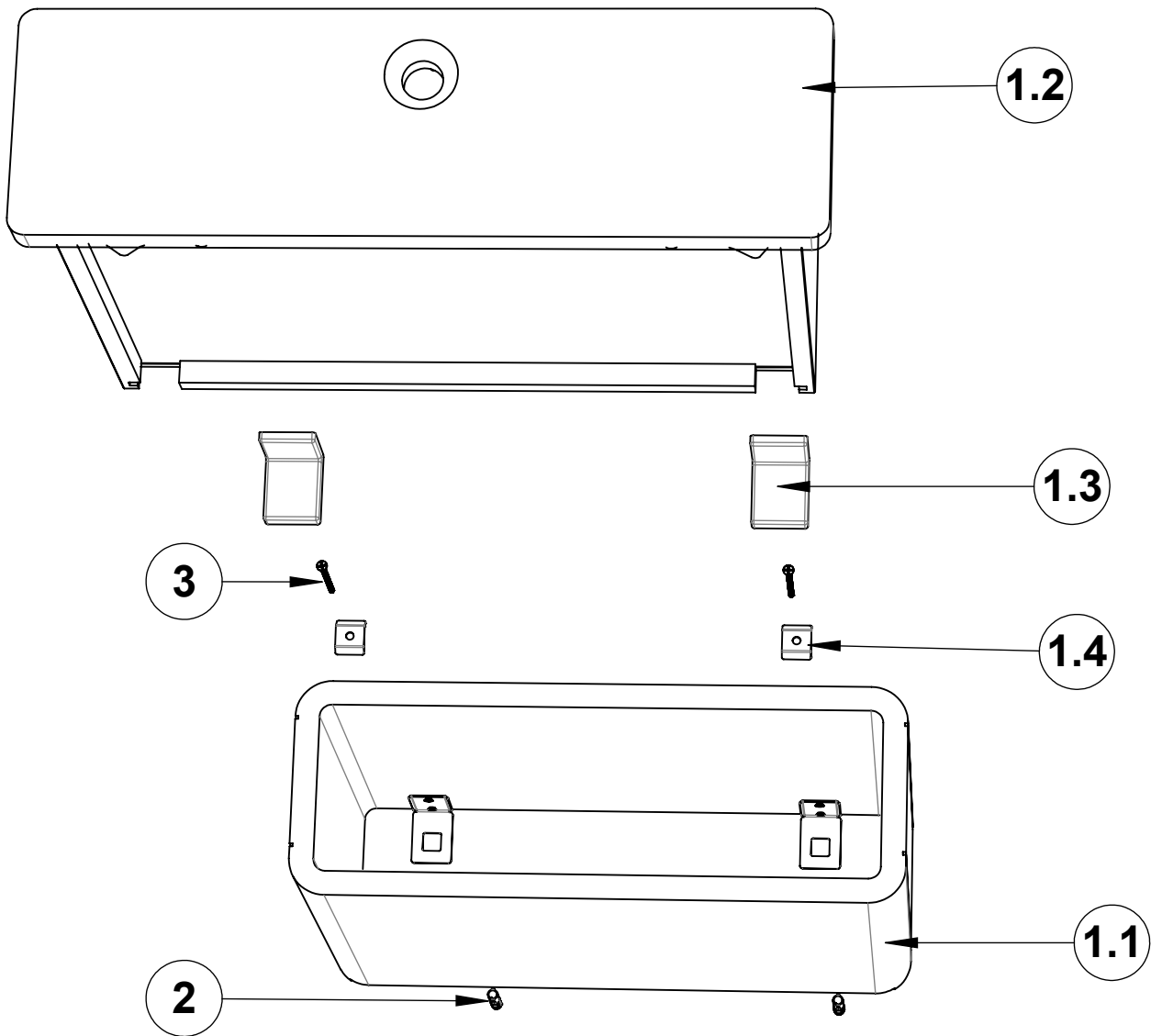


Assembly instruction

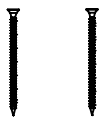


As described/ Wie beschrieben/
 A leírás alapján/ Jak w opisie/
 Ako je popísané/ Jak je popsáno

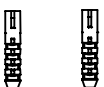
Mirror view/ Spiegelbild/
 Tükörkép/ Widok lustrzany/
 Zrkadlový pohľad/ Zrcadlový pohled



1 1x (1.1 - 1.4)

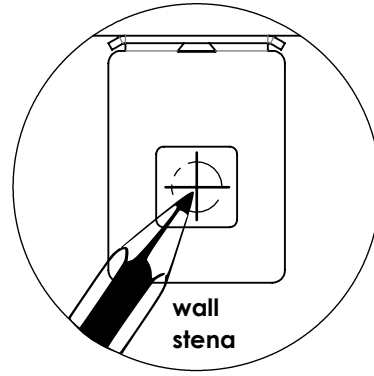
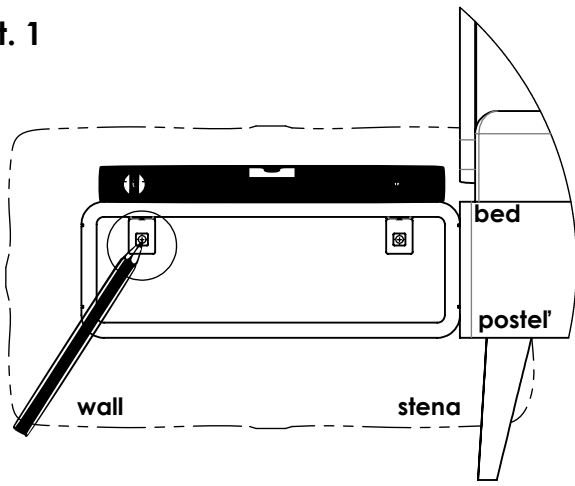


3 2x - not included



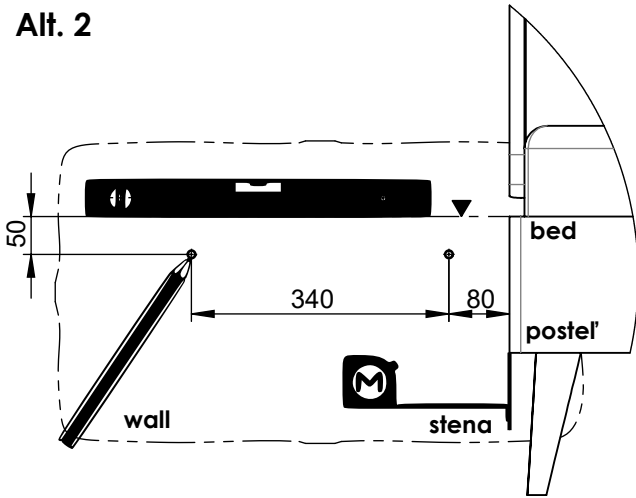
2 2x - not included

Alt. 1

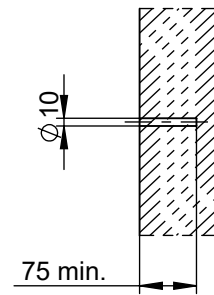
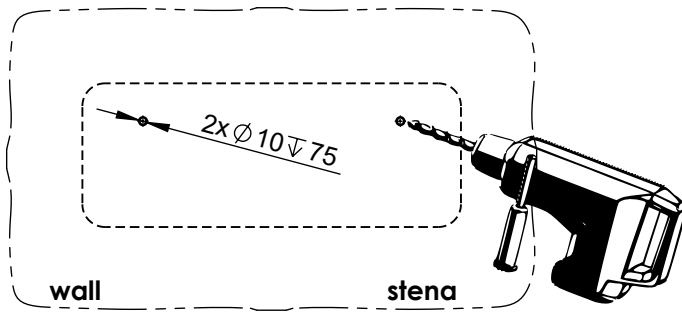


1.1

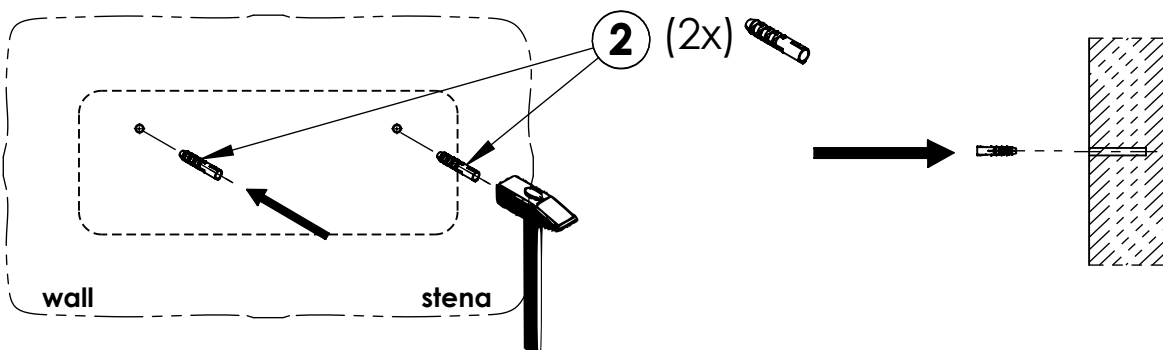
Alt. 2



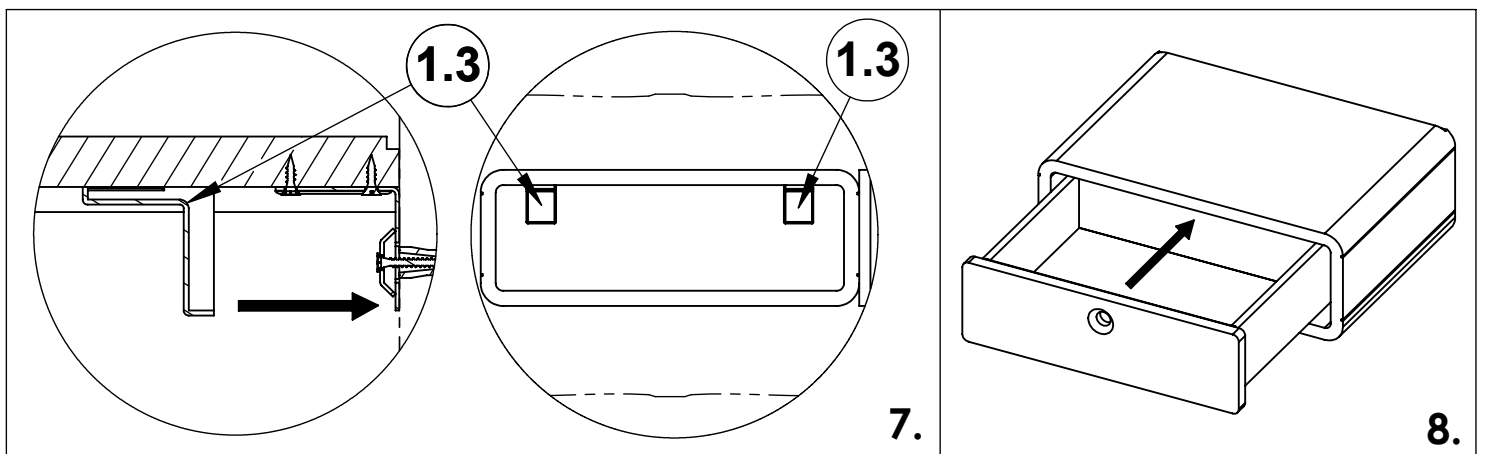
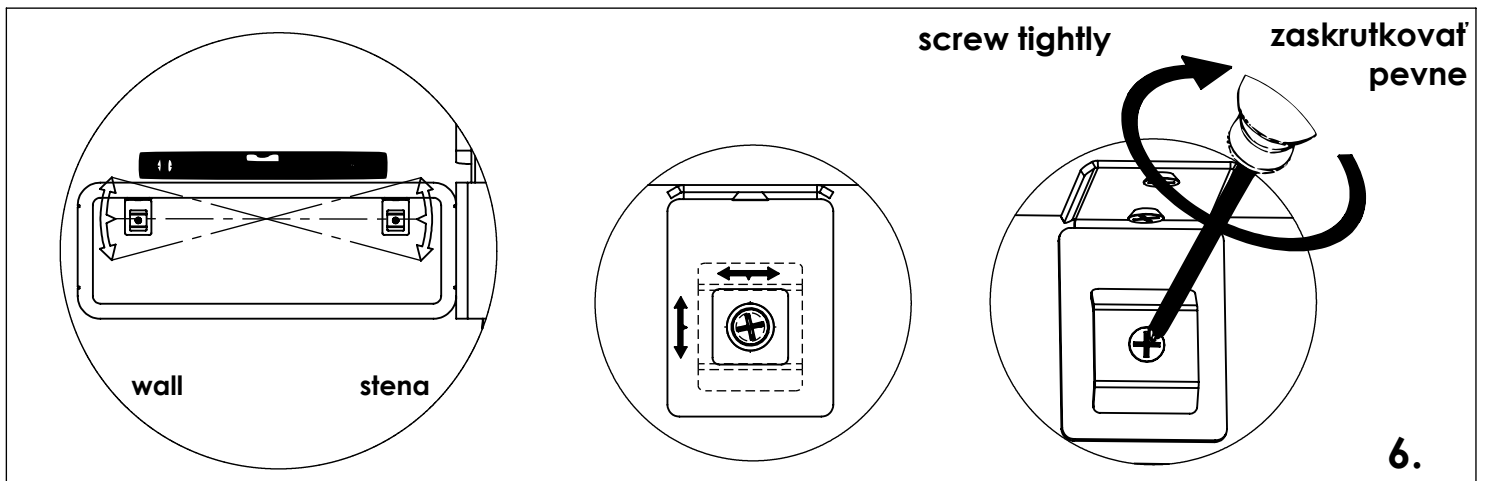
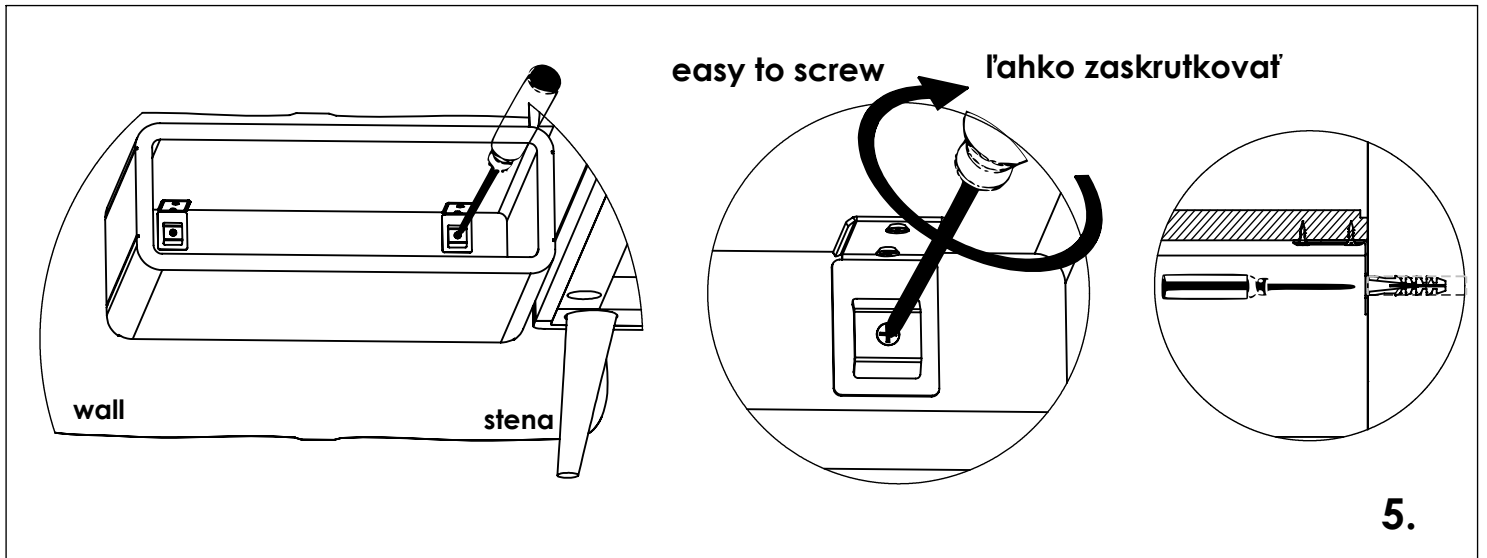
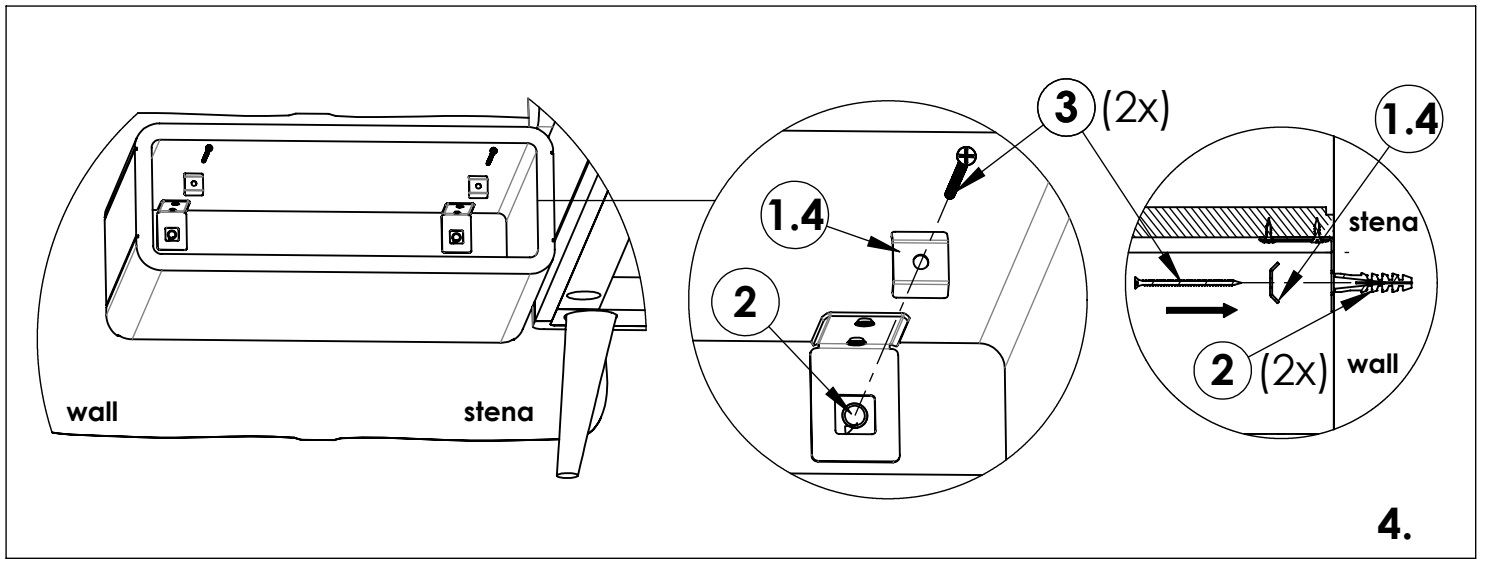
1.2



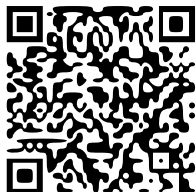
2.



3.

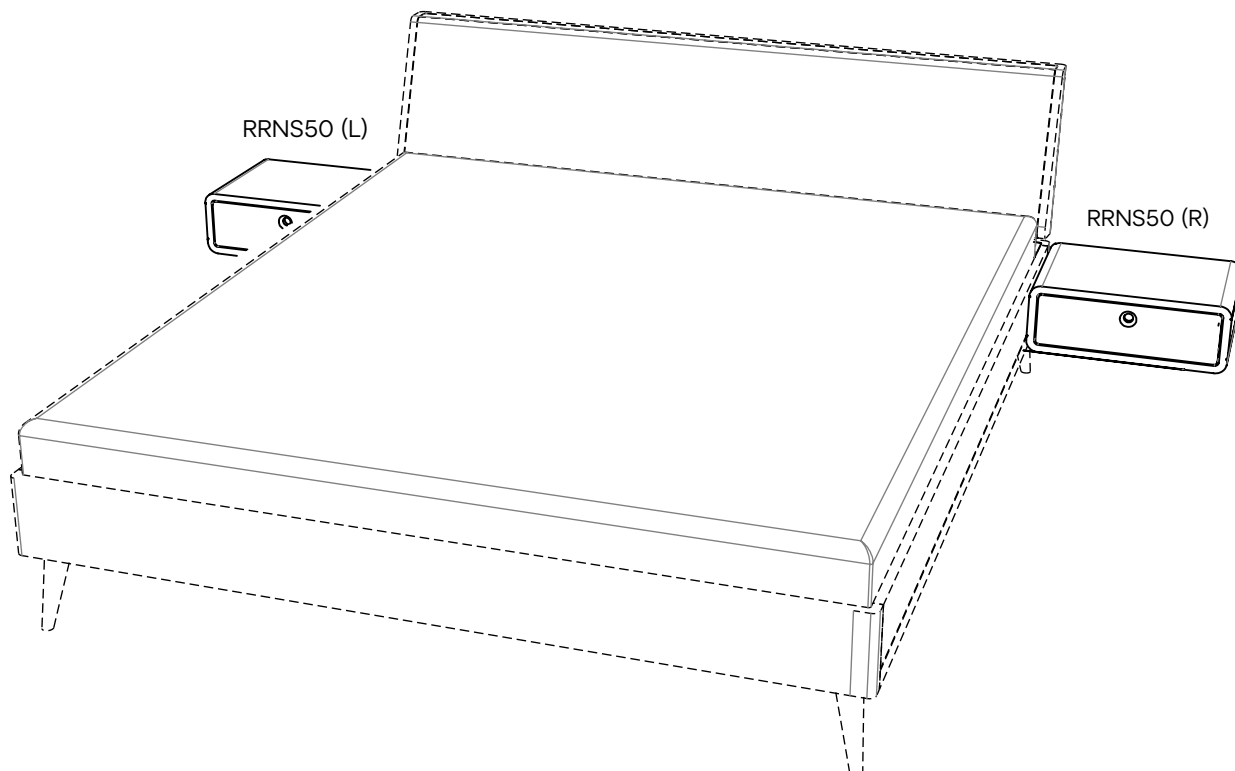
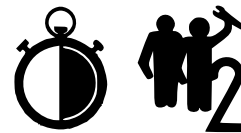


*/EN/ Rail mounting; /DE/ Schienenmontage; /HU/ Sínre szerelés;
/PL/ Montaż Szyne; /SK/ Montáž na lícsty; /CZ/ Montáž na latě.*

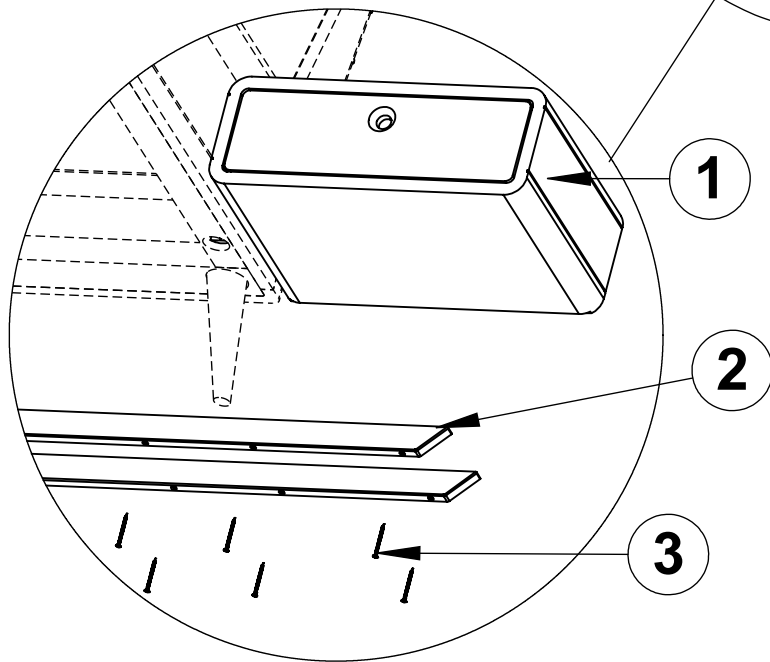
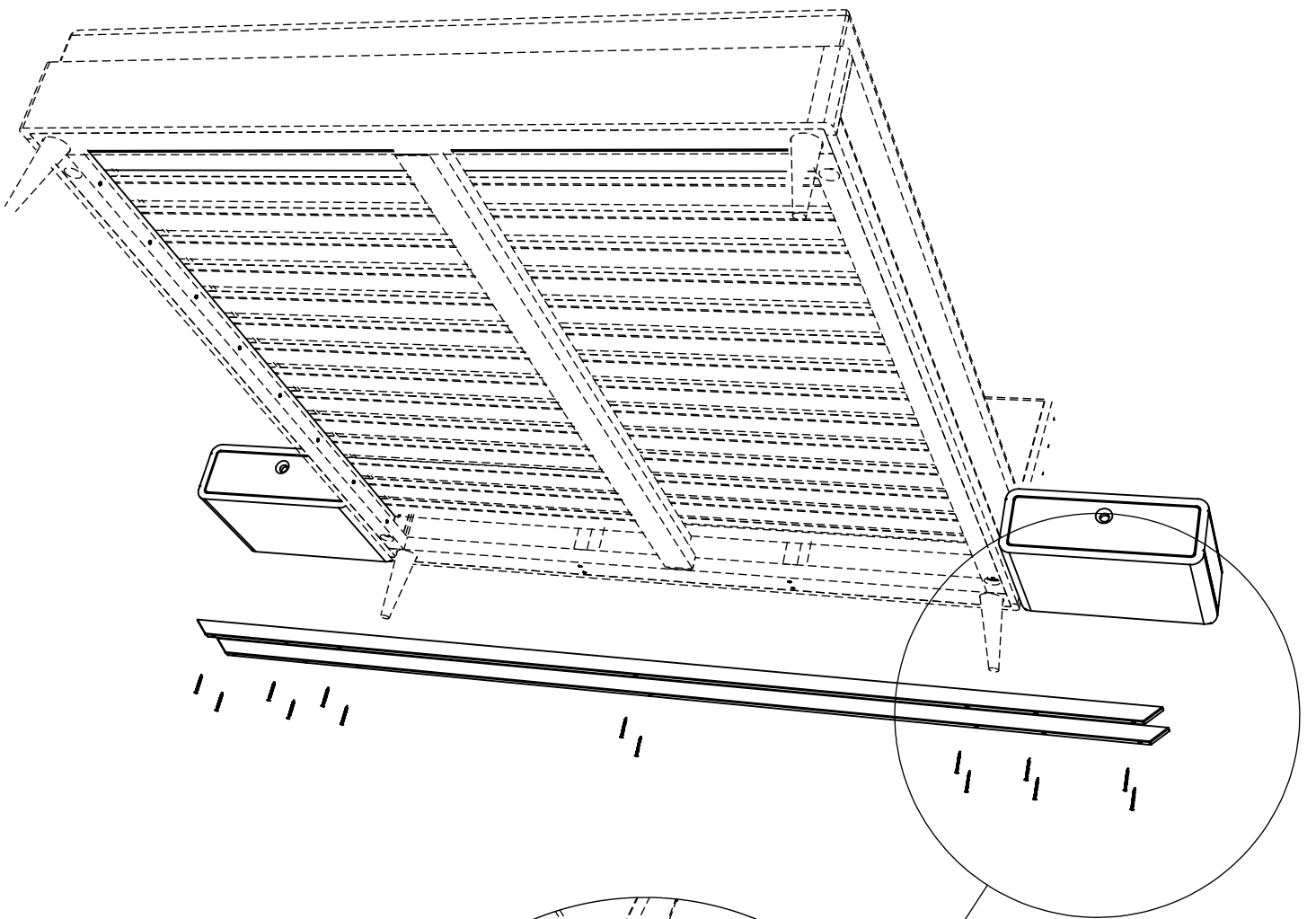


Watch assembly video on Youtube:

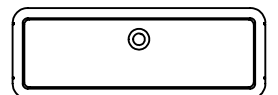
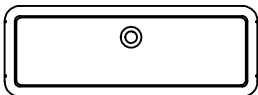
<https://www.youtube.com/watch?v=IKWvi0mzcsg>



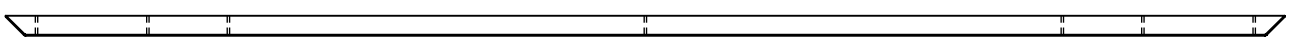
RRNS50 (L) = RRNS50 (R)



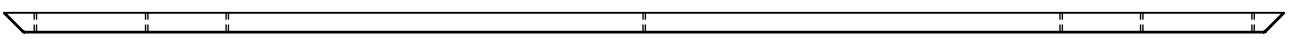
① 2x



② 2x



②.1



②.2



③ 14x

