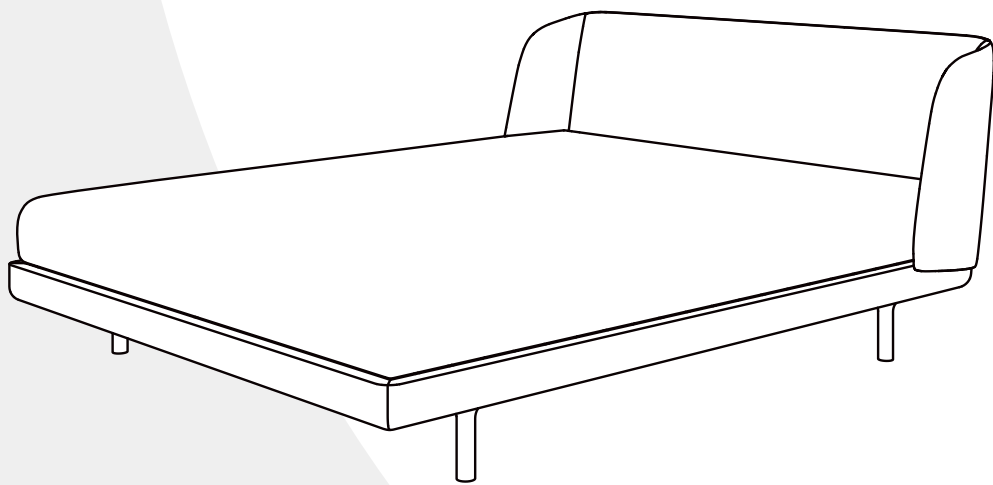


Assembly instructions

# Soft Bed



## EN: User instructions

---

- ❑ before starting assembly, carefully read all instructions in this manual
- ❑ use caution when assembling
- ❑ check that all parts are included in the package
- ❑ assembly should be carried out by two people to ensure safety and efficiency



### **Safety Tips**

- ❑ assemble the product on a flat, soft surface (e.g., carpet, blanket, or mat)
- ❑ do not overtighten screws
- ❑ keep small parts out of reach of children
- ❑ once assembled, check that all connections are tight and the structure is stable before use



### **Note on Regular Maintenance**

- ❑ periodically check and tighten all bolts to ensure ongoing stability and safety

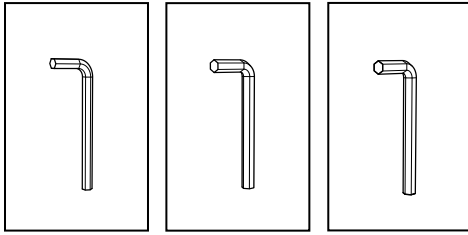


### **Eco/Packaging Notice**

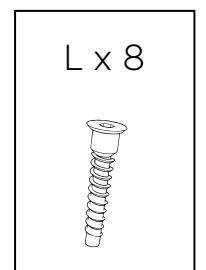
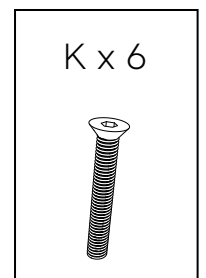
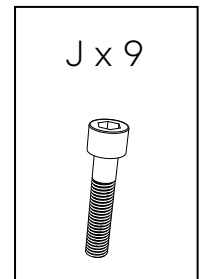
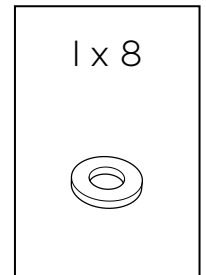
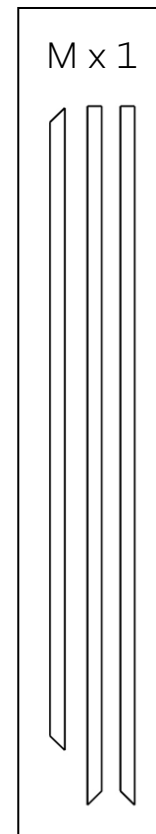
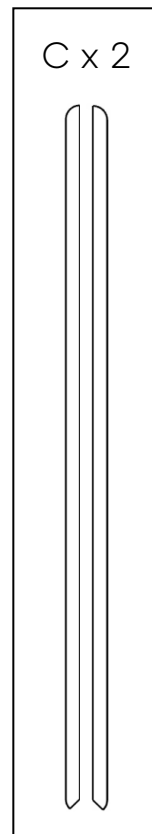
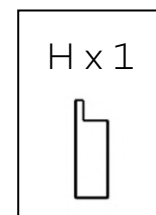
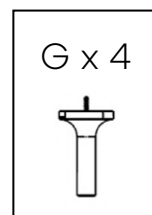
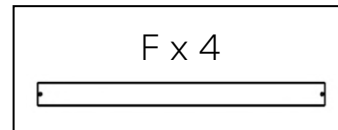
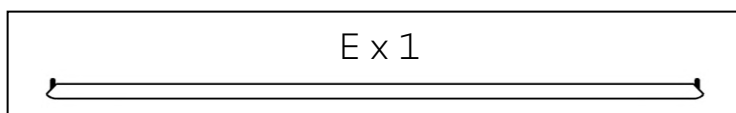
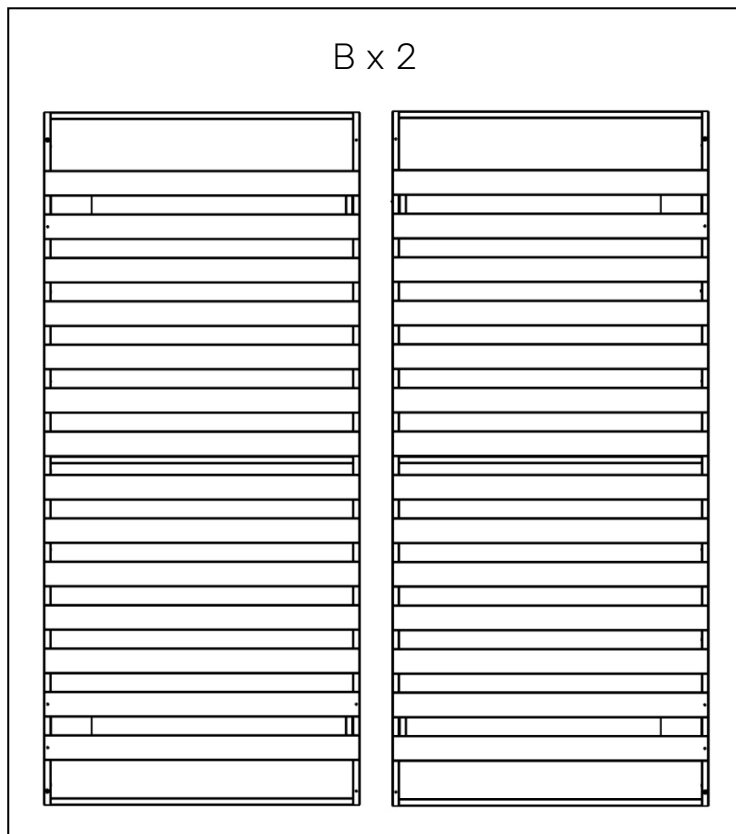
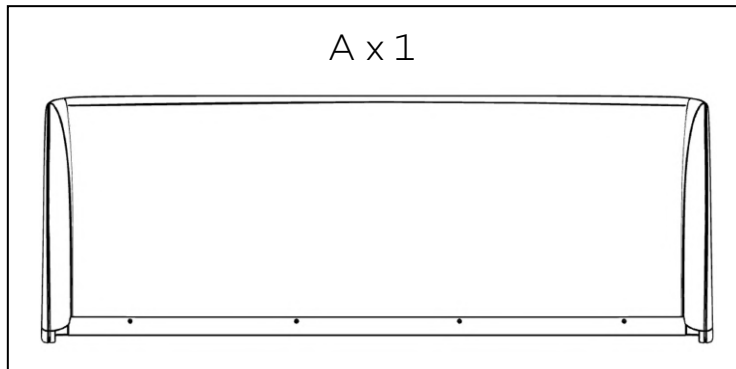
- ❑ please recycle all packaging materials according to your local guidelines

# Tools, fittings and products parts

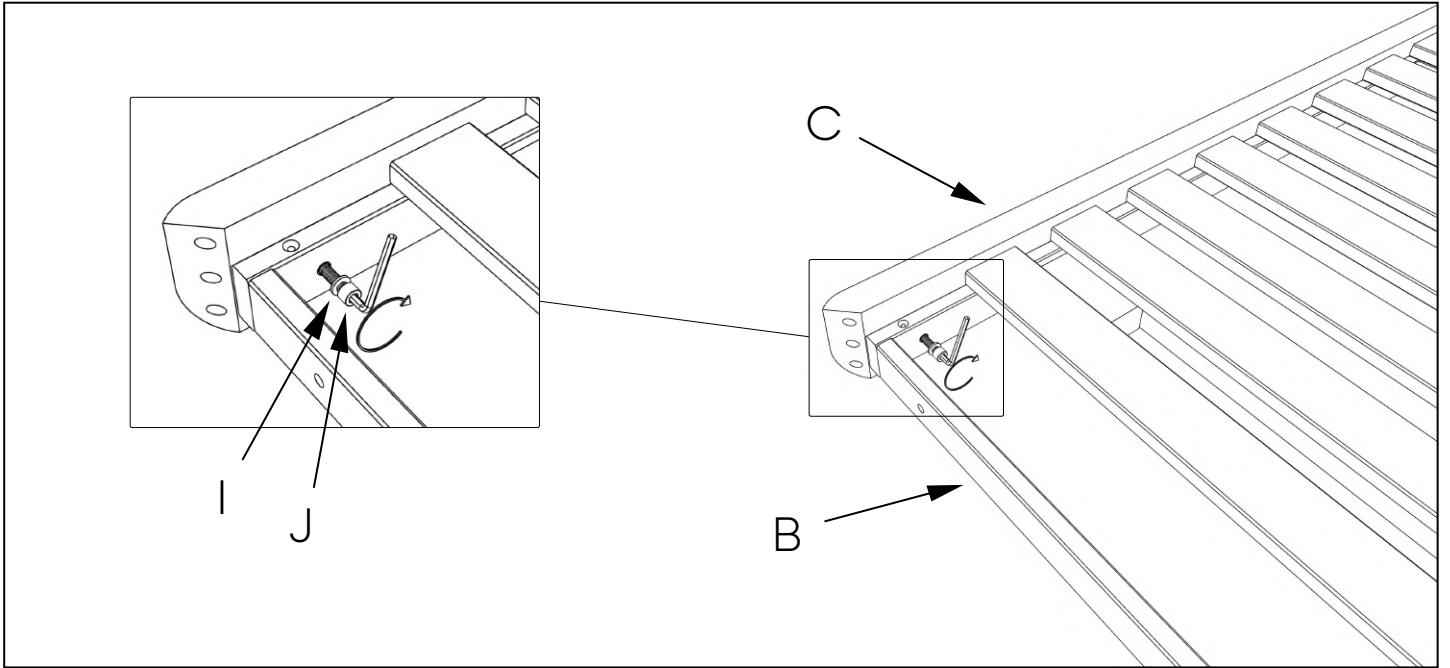
## Tools overview



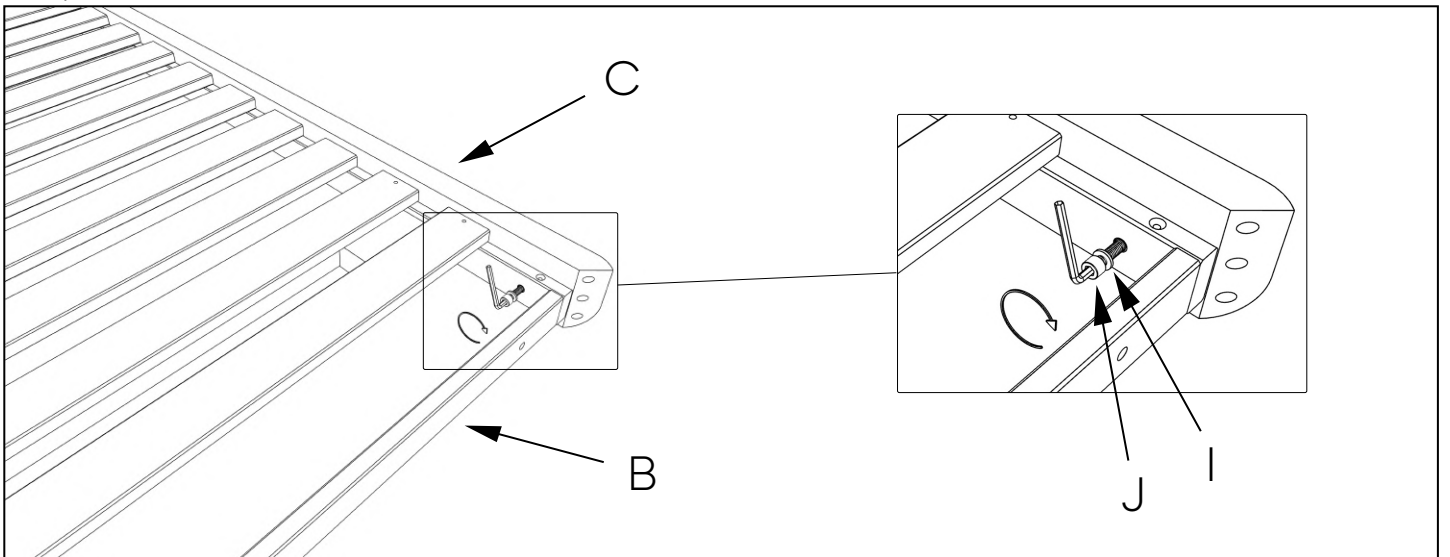
## Fittings and product parts



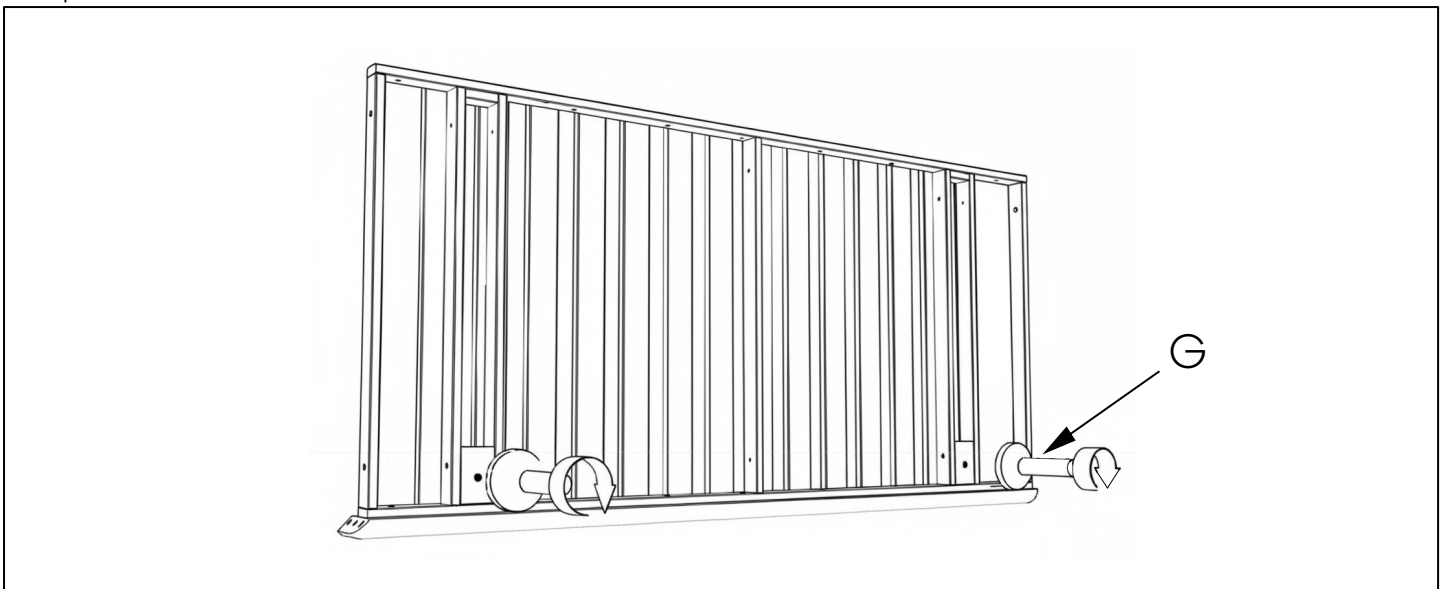
Step 1



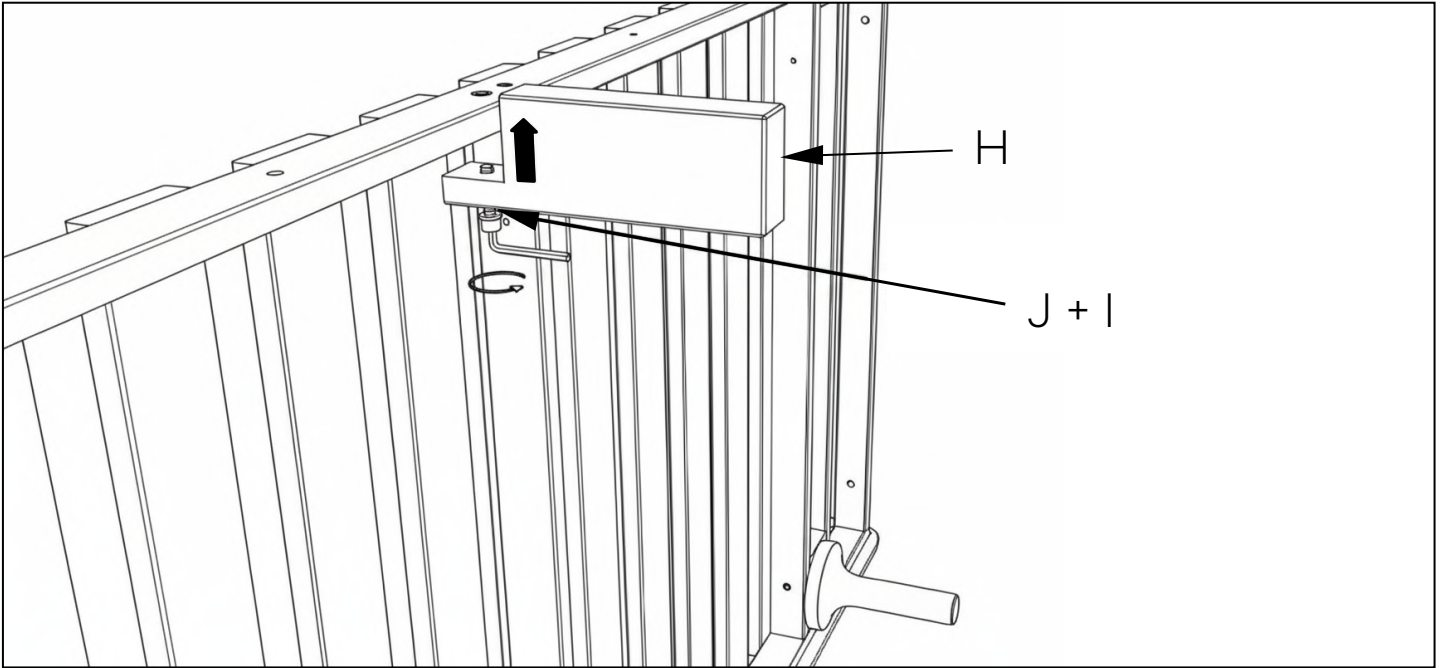
Step 2



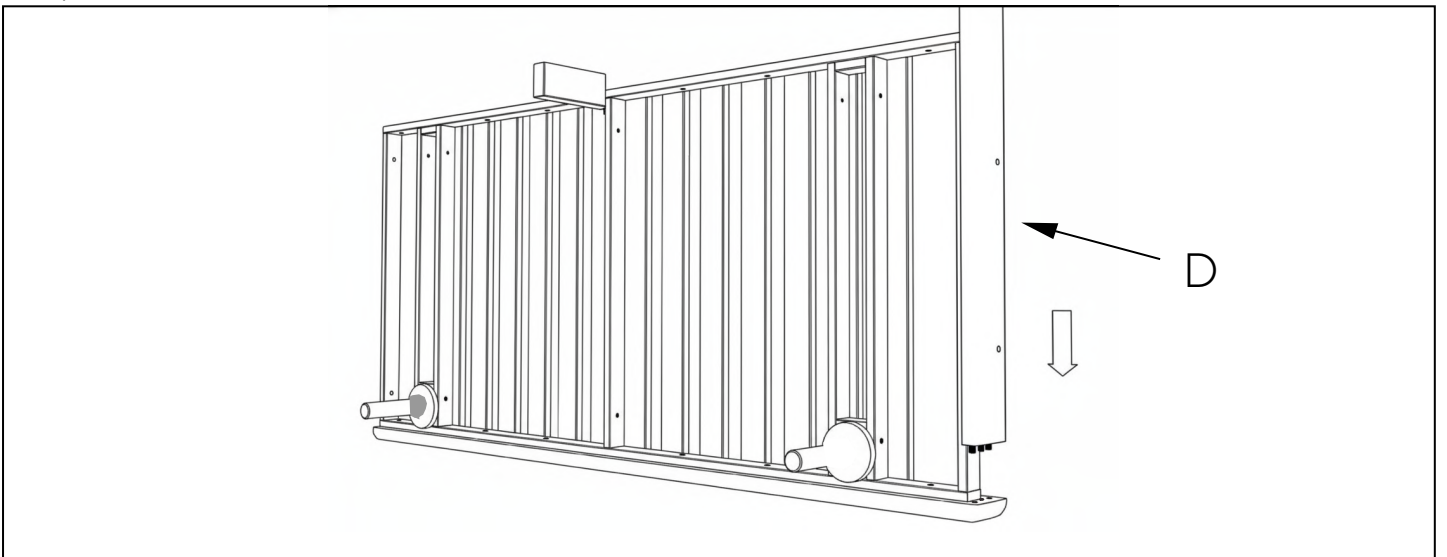
Step 3



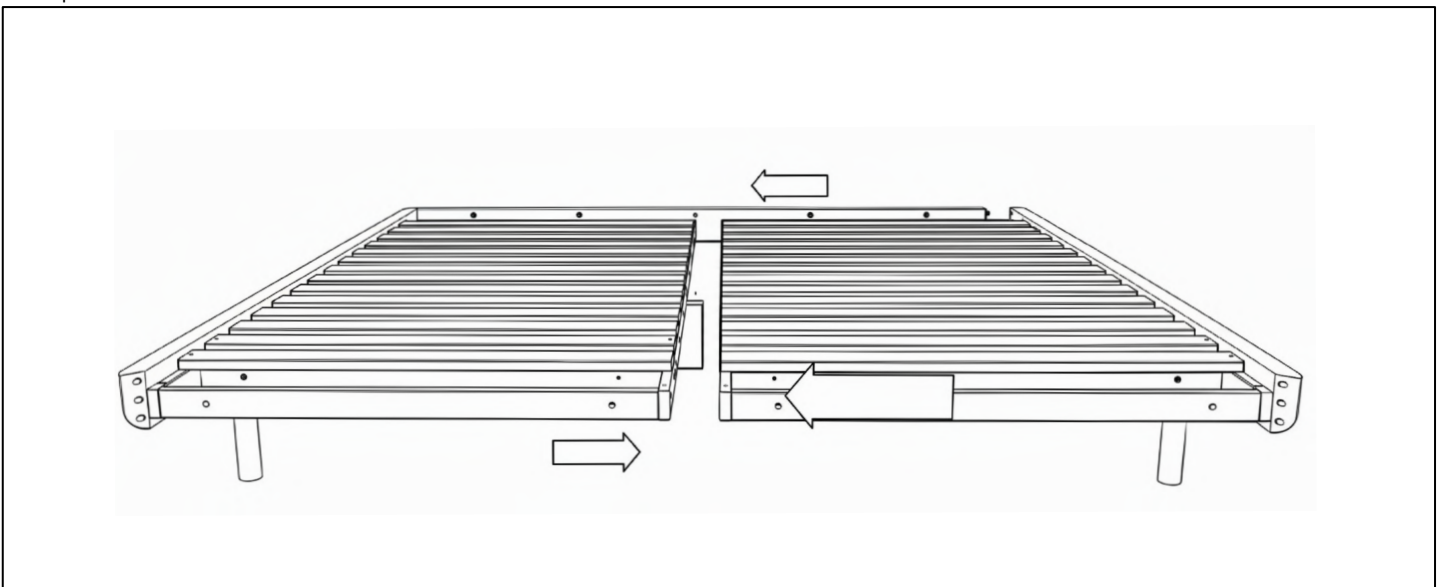
Step 4



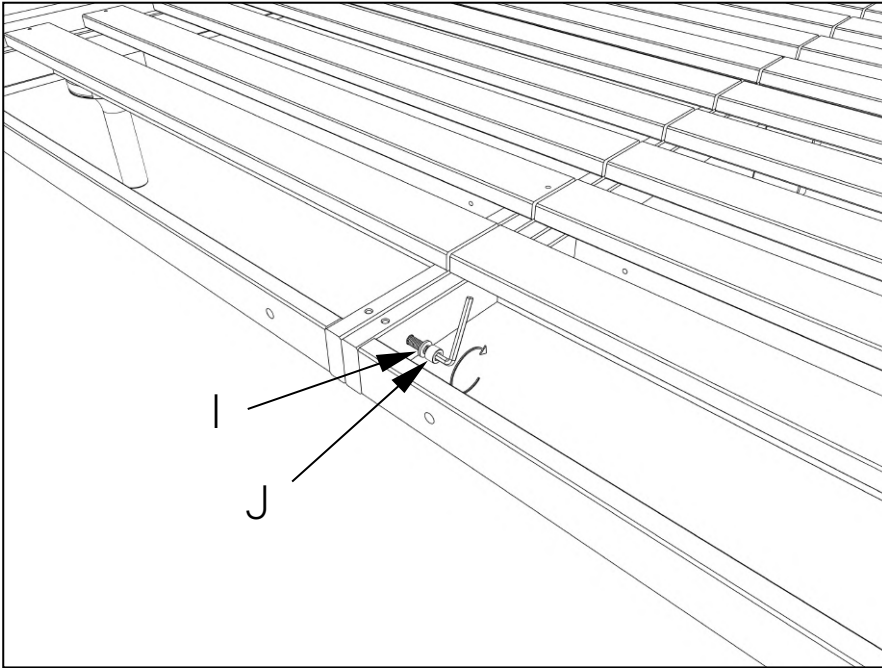
Step 5



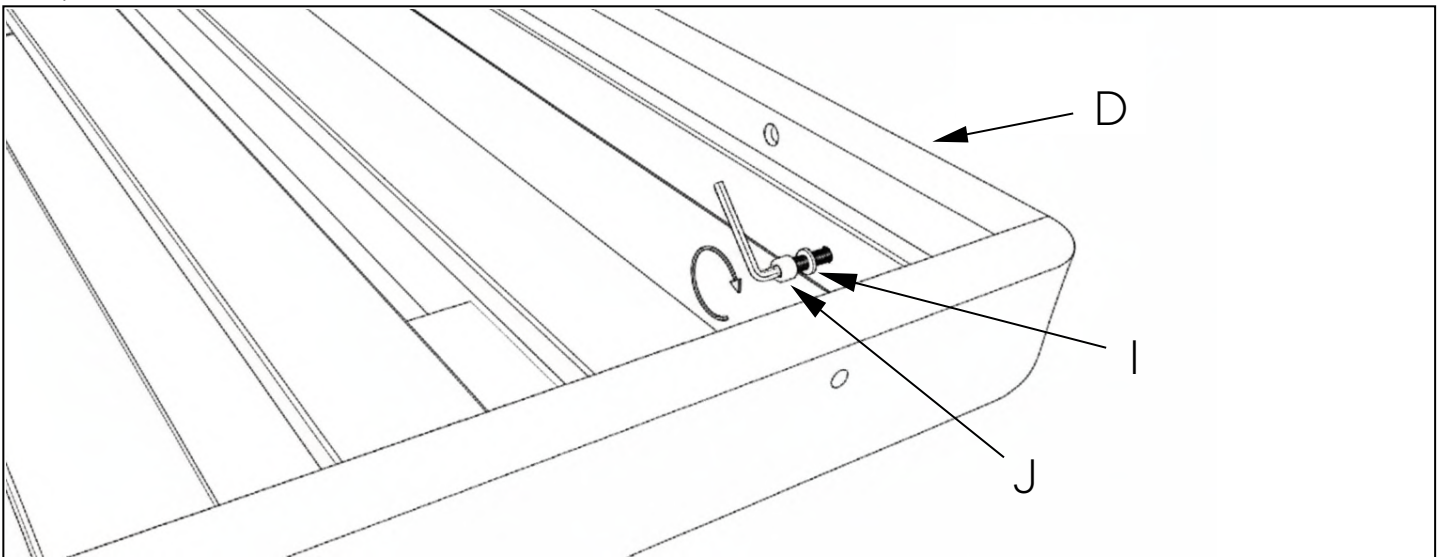
Step 6



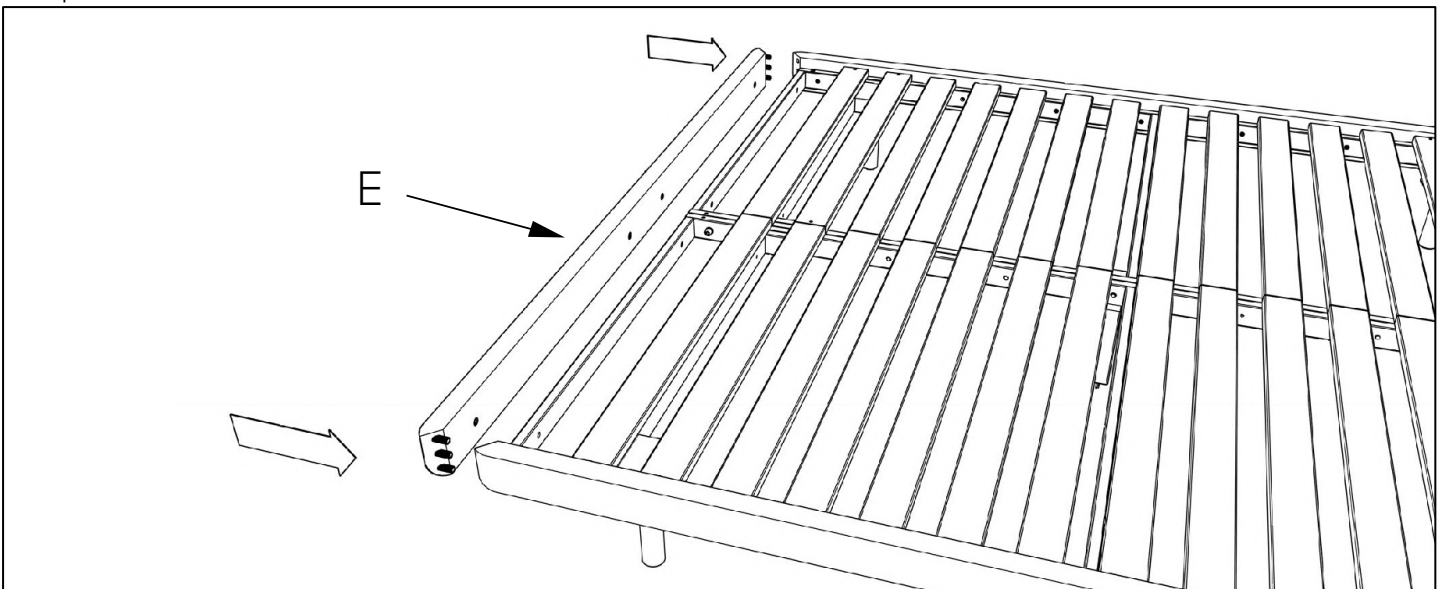
Step 7



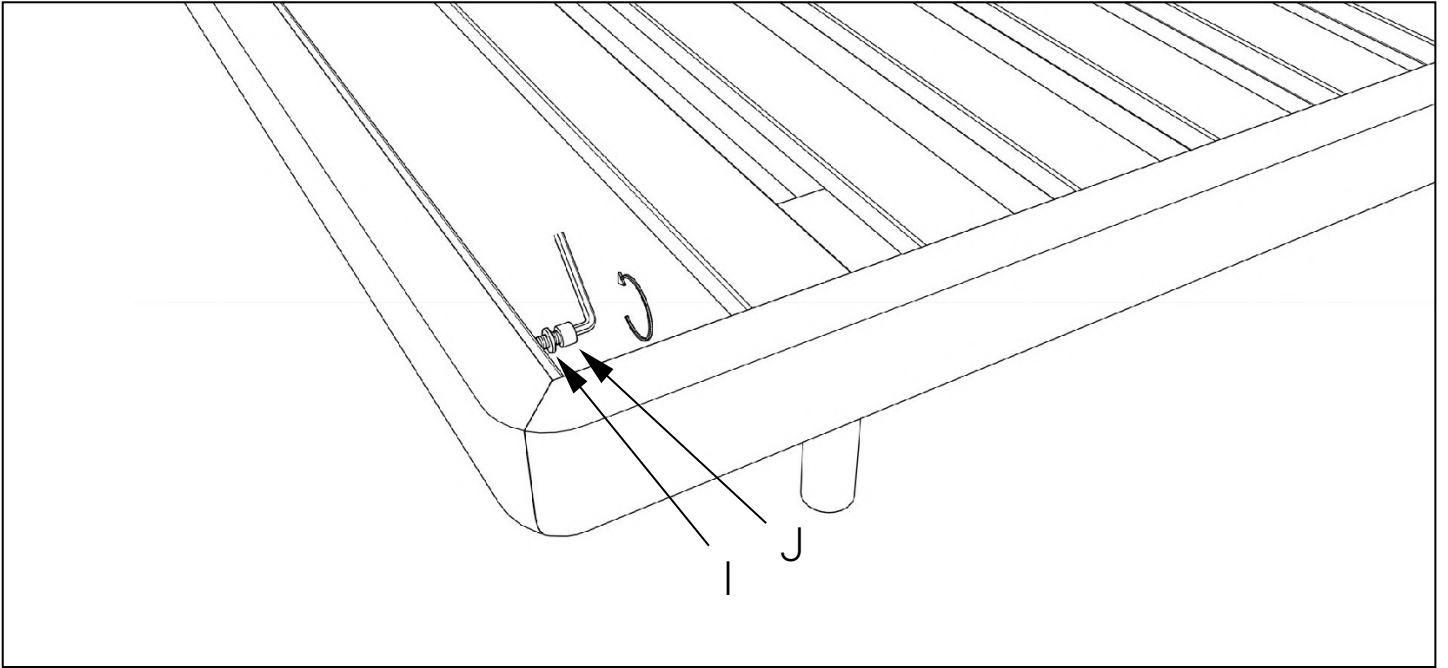
Step 8



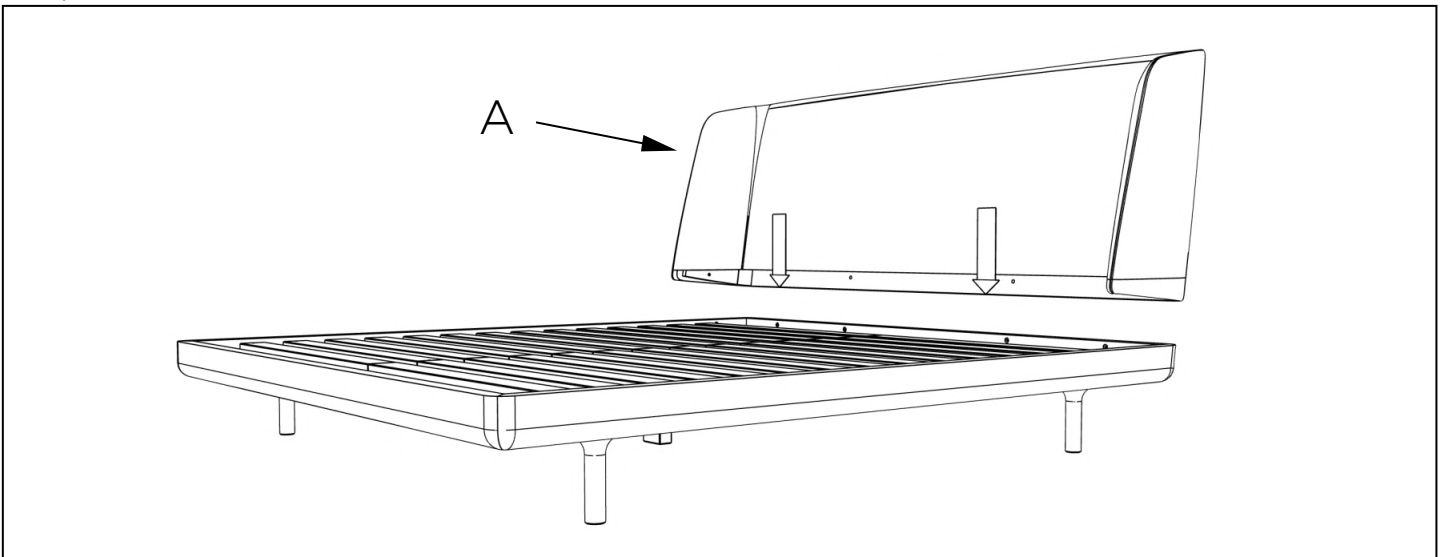
Step 9



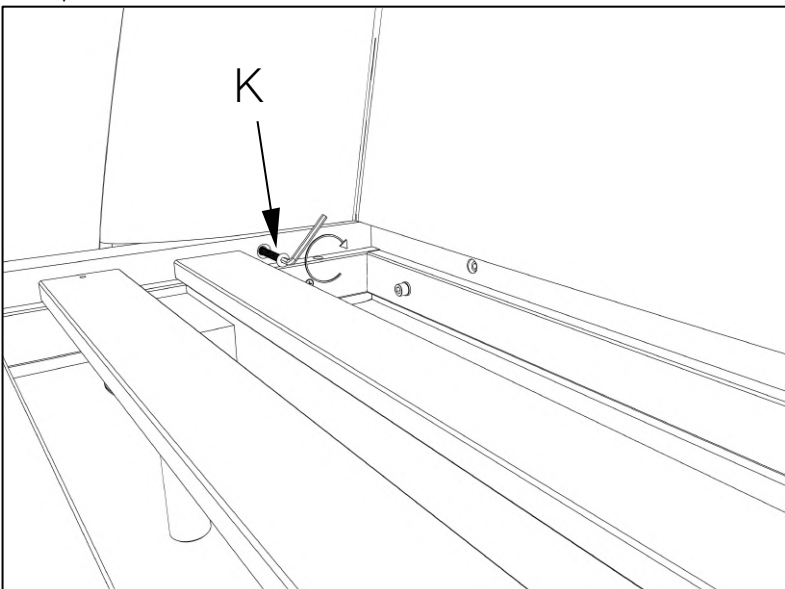
Step 10



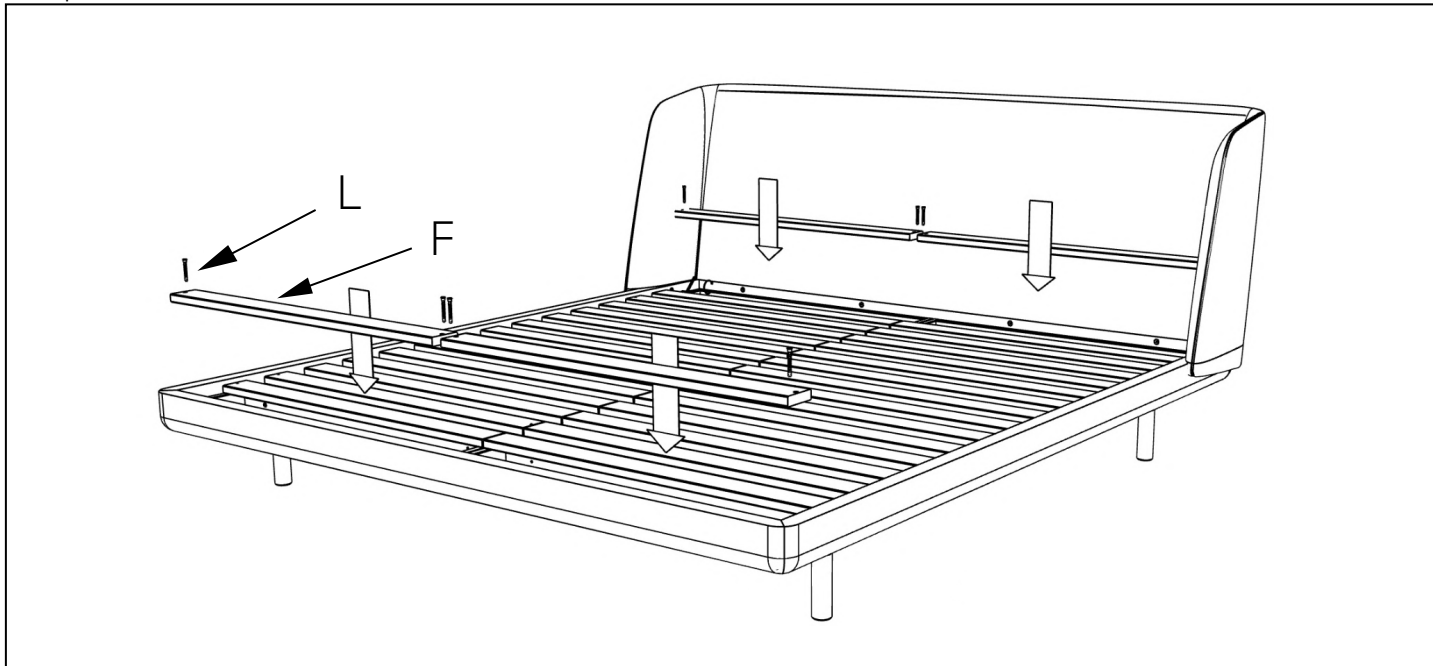
Step 11



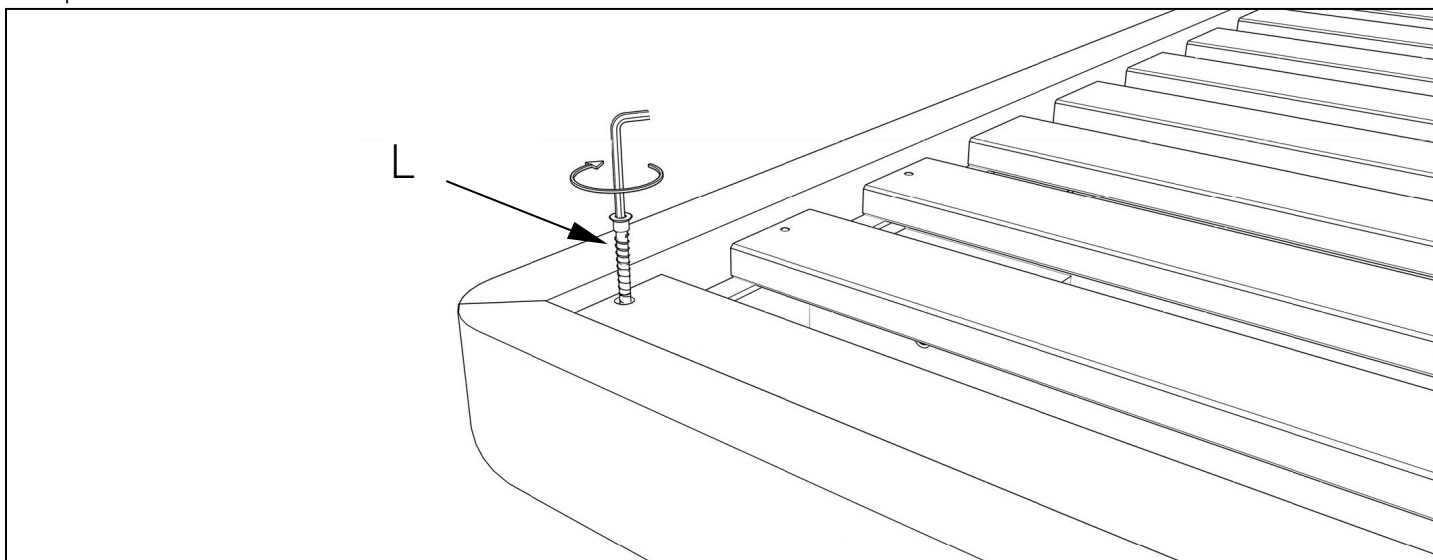
Step 12



Step 13



Step 14



Step 15

