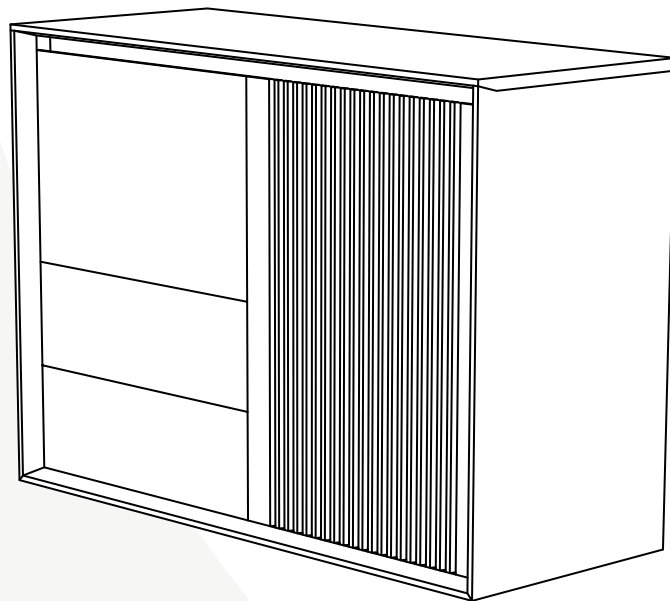


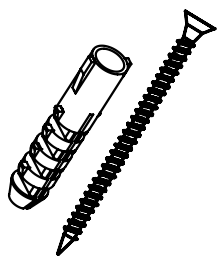
Wall Mount Assembly Manual

X-LINK Highboard Storage Cabinet



- before starting assembly, carefully read all instructions in this manual
- use caution when assembling
- check that all parts are included in the package

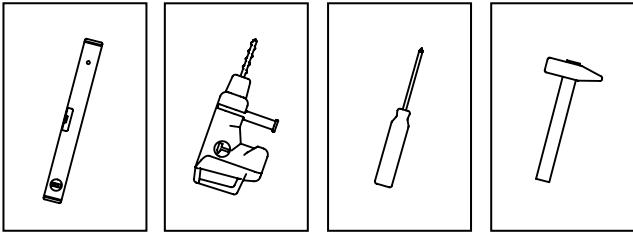
Warnings



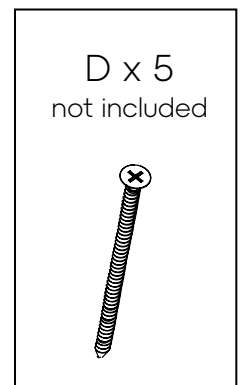
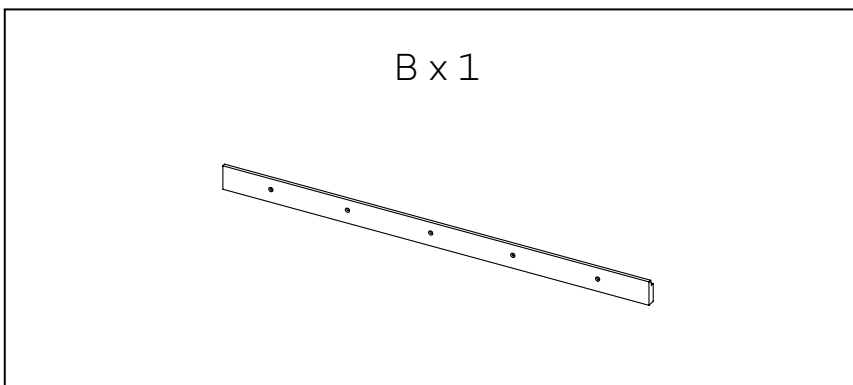
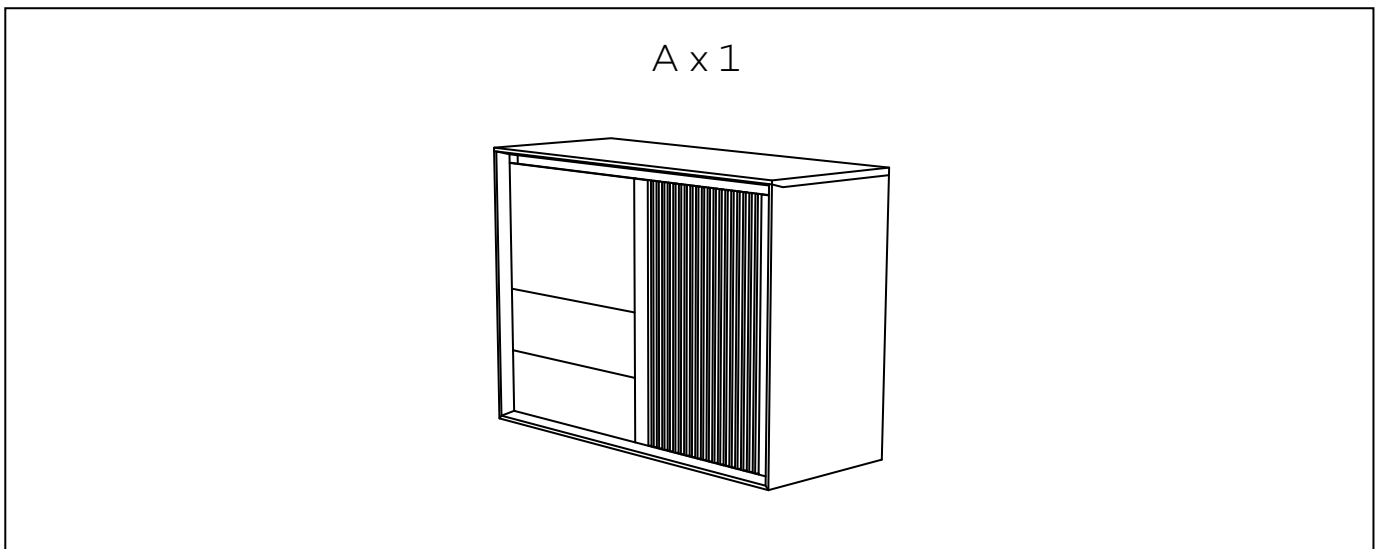
Due to variations in wall and sealing materials, raw plugs and screws for wall fixation and sealing are **not included**. It is imperative to ensure that the chosen fastening method is appropriate and secure for your specific home setup.

Tools, fittings and products parts

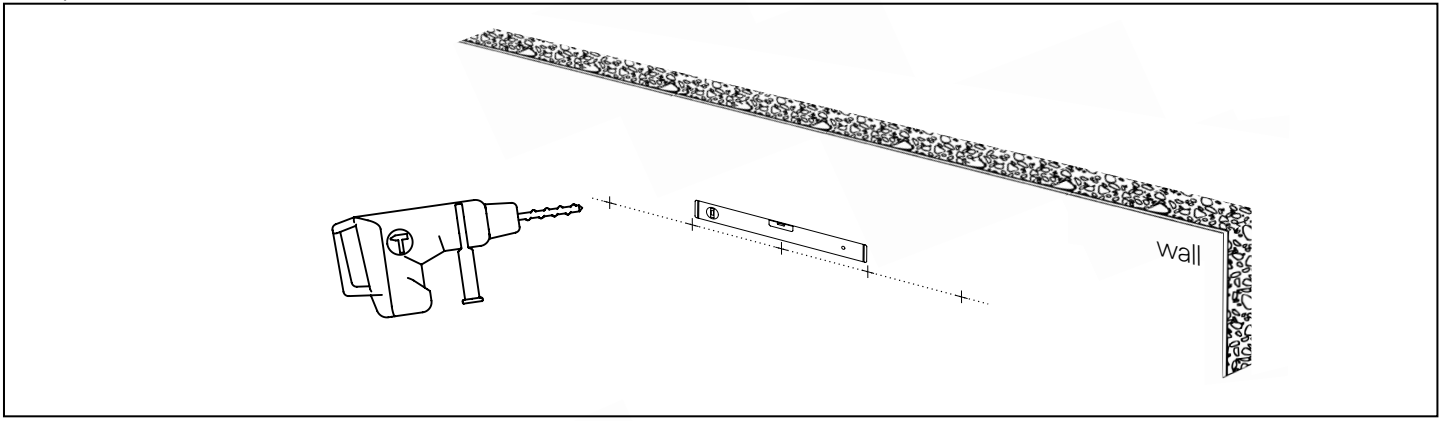
Tools overview



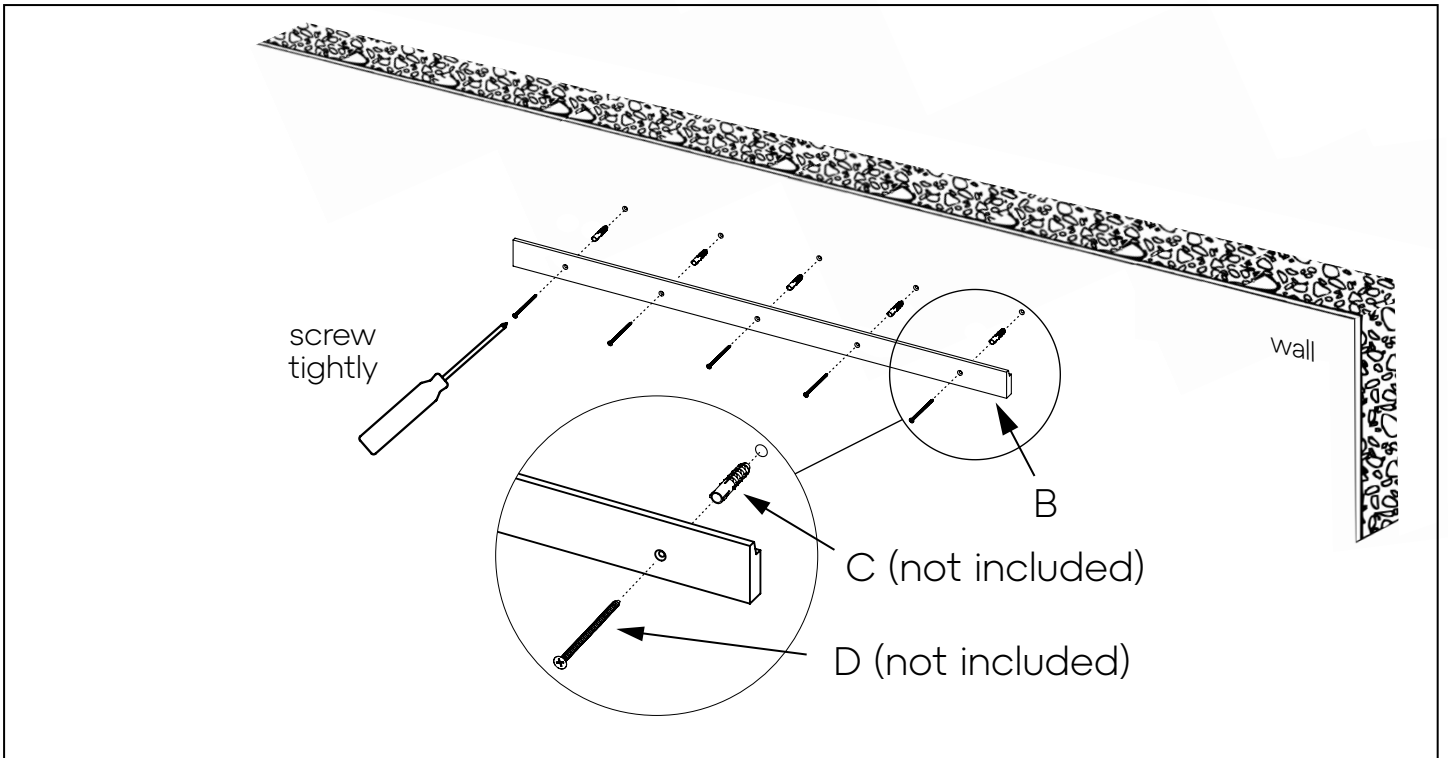
Fittings and product parts



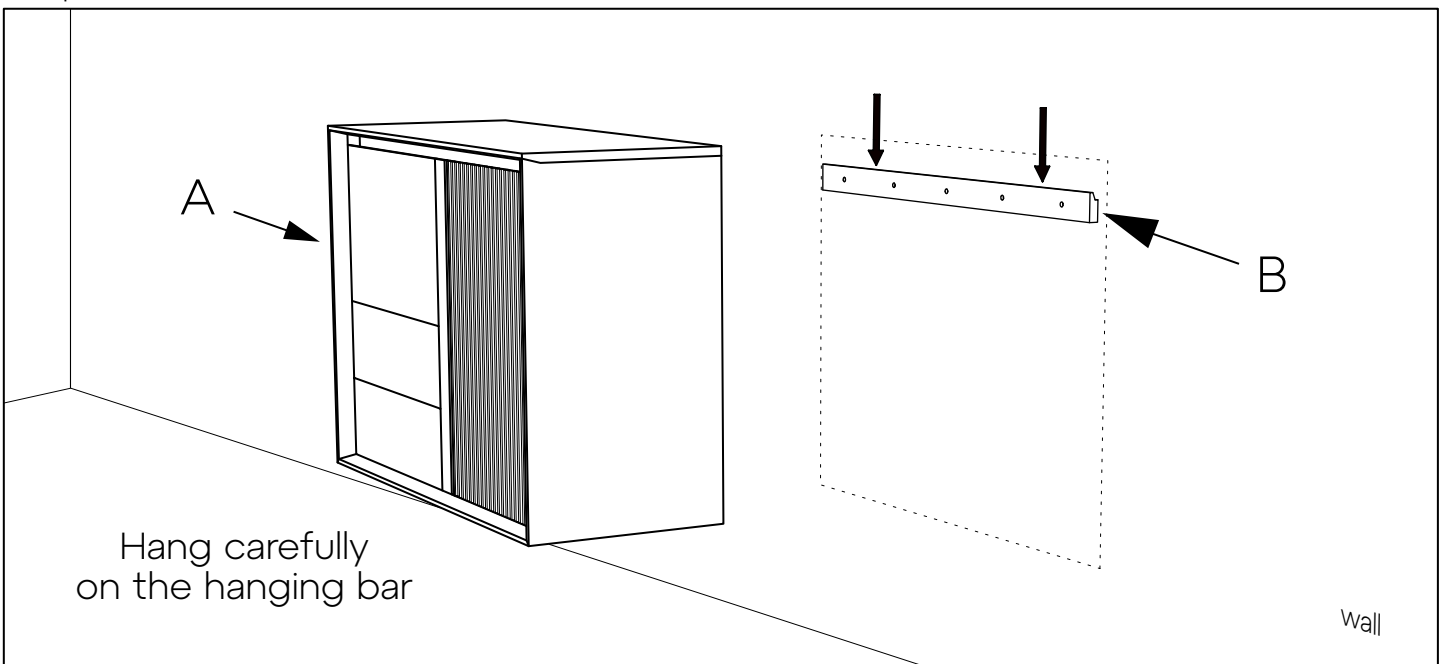
Step 1



Step 2



Step 3



Step 4

