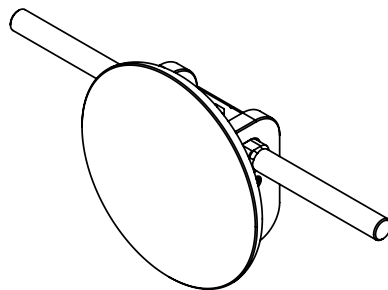
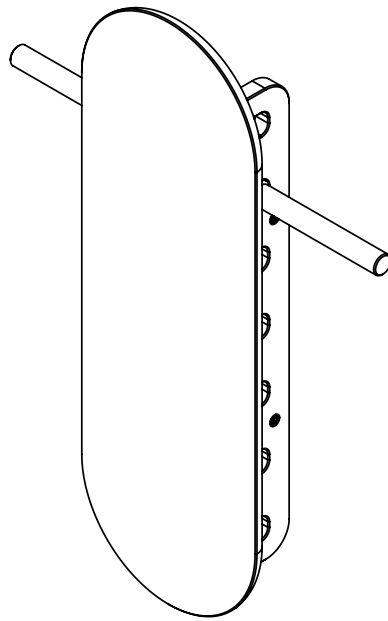


JAVORINA

Assembly instructions Sana Wallbar

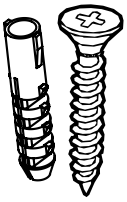


User instructions

Read the assembly instructions carefully before using your product. Failure to follow the instructions may result in product damage or, in the worst case, injury.

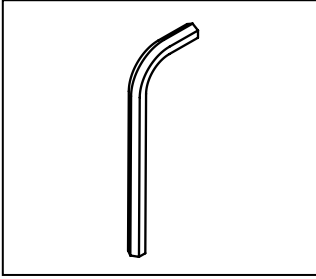
Use the product only for the purpose described in this manual. Any other use is not consistent with the intended purpose of the product and may result in product damage or injury. The manufacturer assumes no responsibility for damage resulting from the use of the product in a manner for which it is not intended.

Warnings

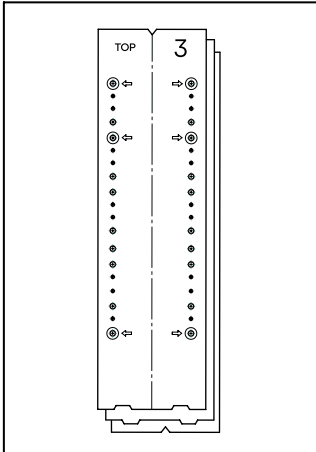


Due to variations in wall and sealing materials, rawl plugs and screws for wall fixation and sealing are not included. **We recommend mounting the unit to the wall using chemical anchors to ensure maximum stability and security.** It is imperative to ensure that the chosen fastening method is appropriate and secure for your specific home setup.

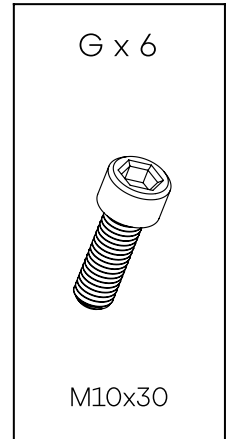
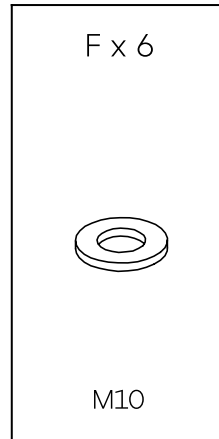
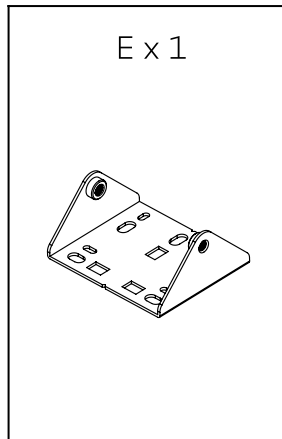
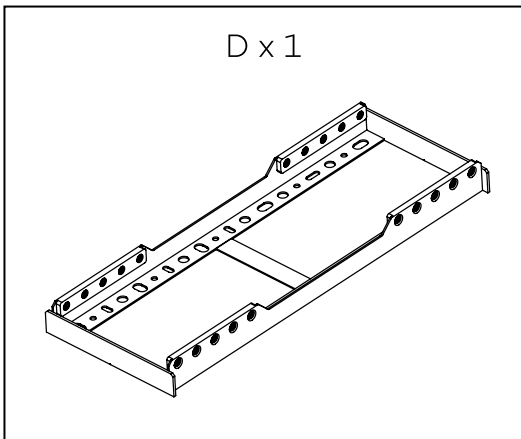
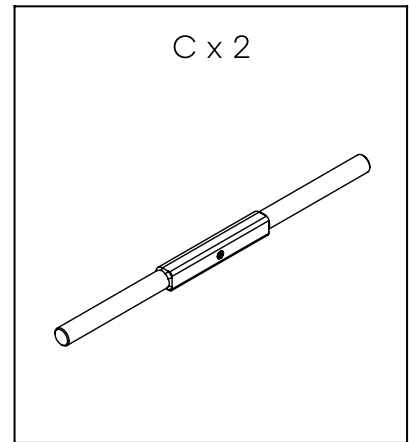
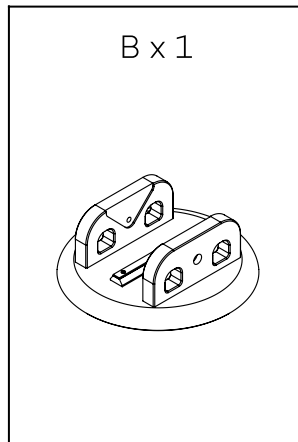
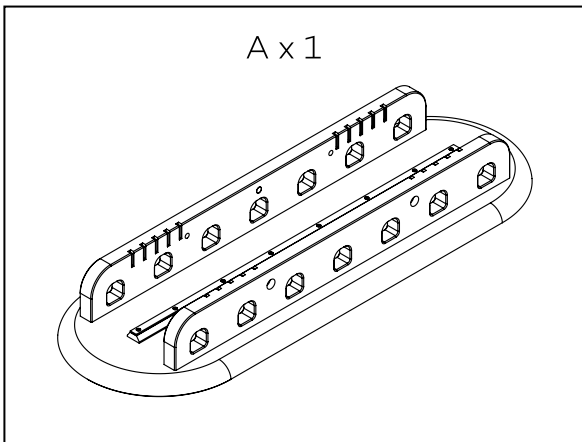
Tools overview



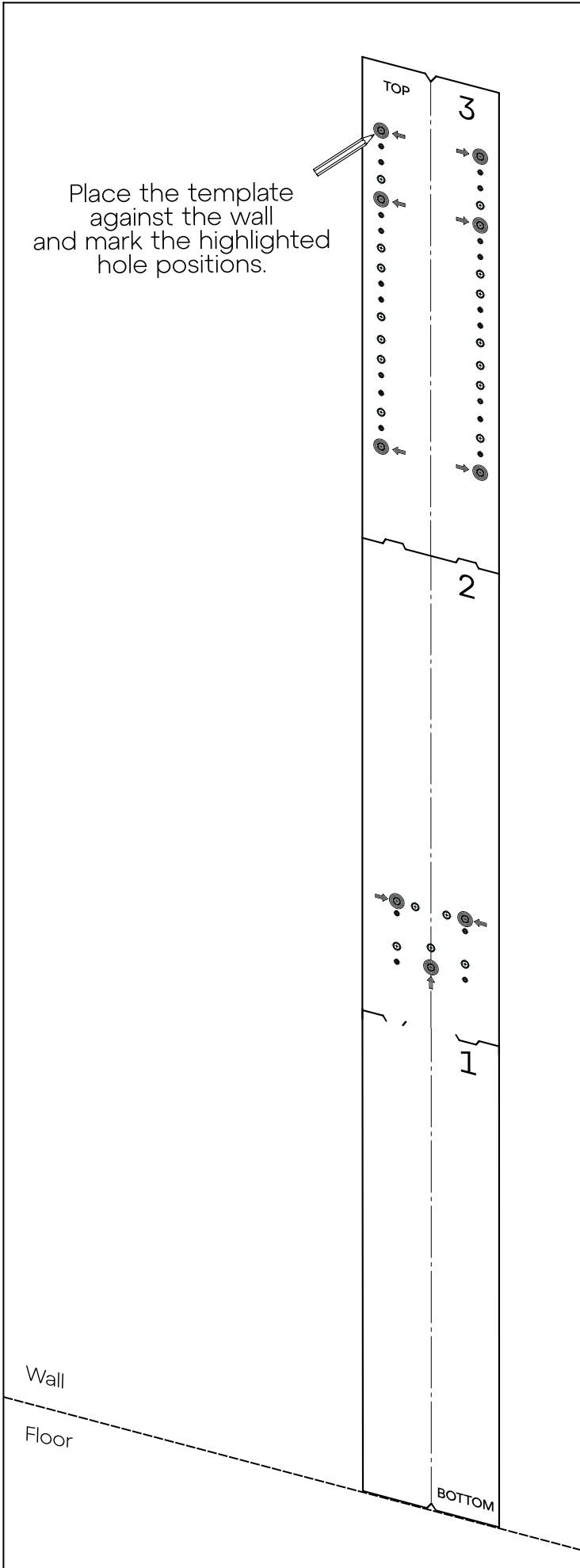
Assembly template



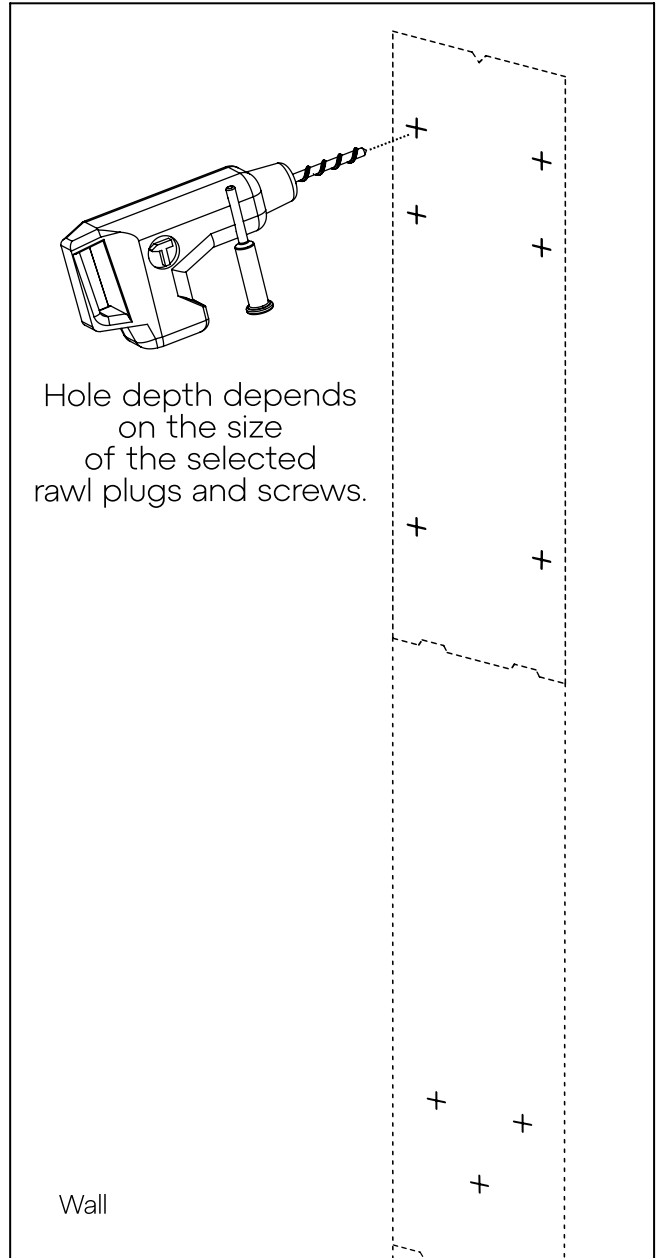
Fittings and product parts



Step 1



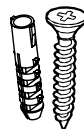
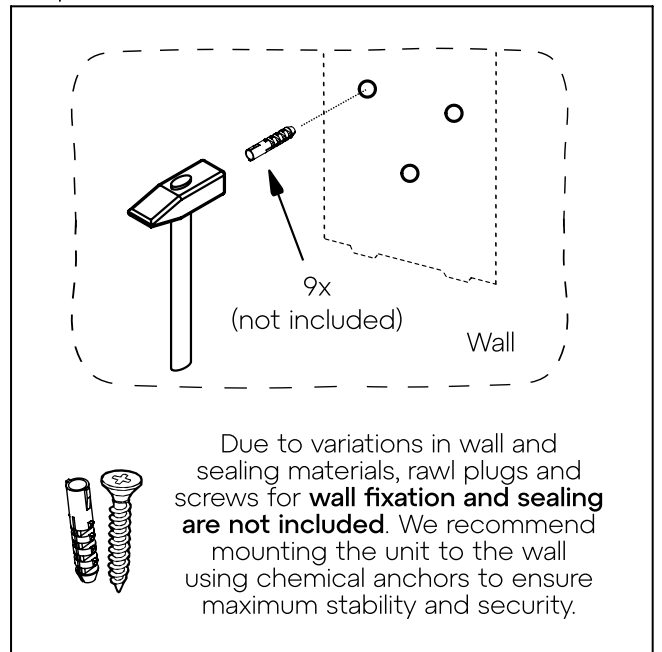
Step 2



Hole depth depends on the size of the selected rawl plugs and screws.

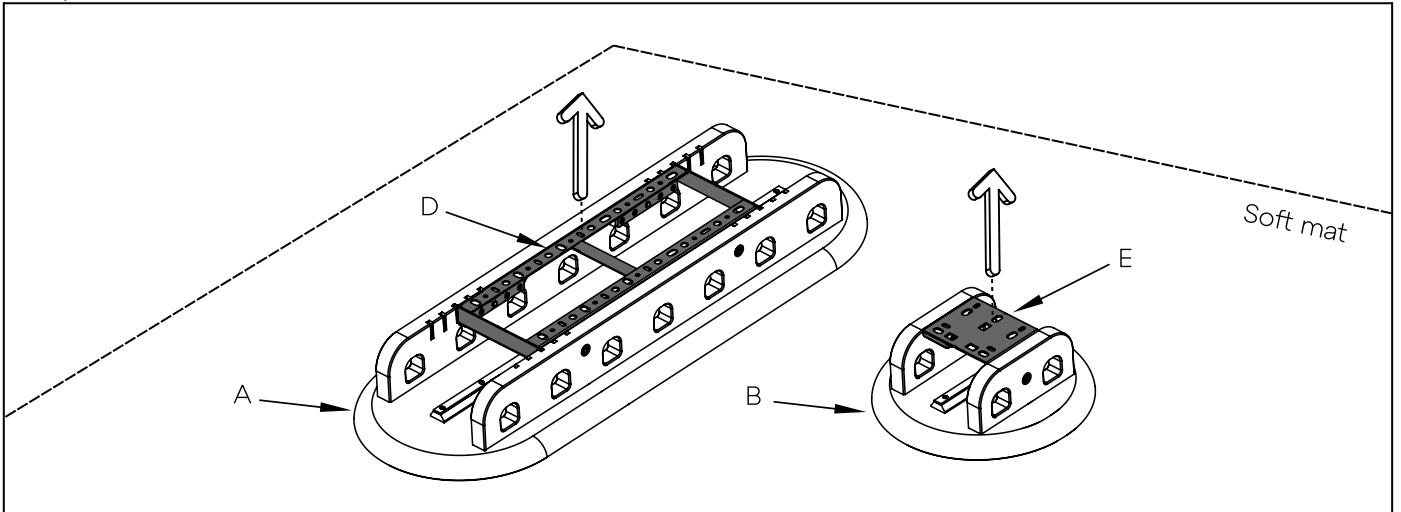
Wall

Step 3

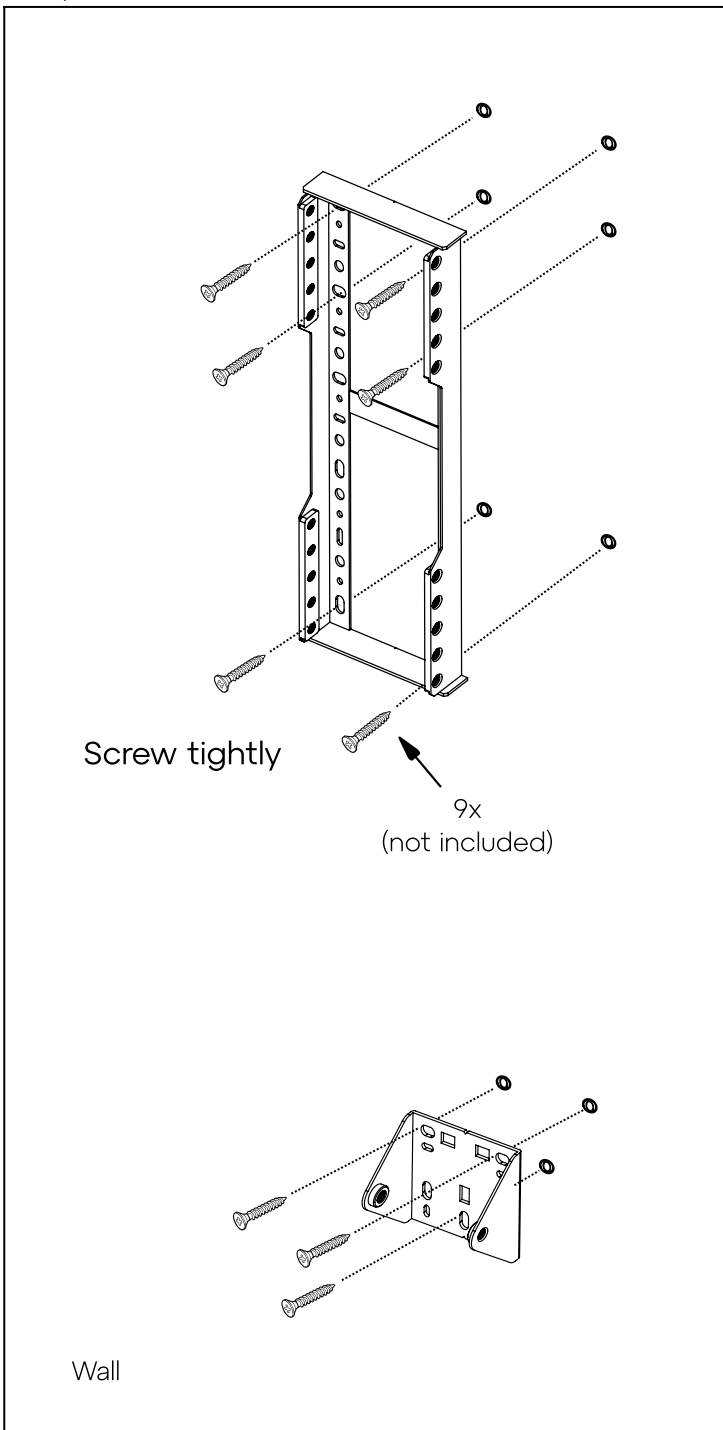


Due to variations in wall and sealing materials, rawl plugs and screws for **wall fixation and sealing are not included**. We recommend mounting the unit to the wall using chemical anchors to ensure maximum stability and security.

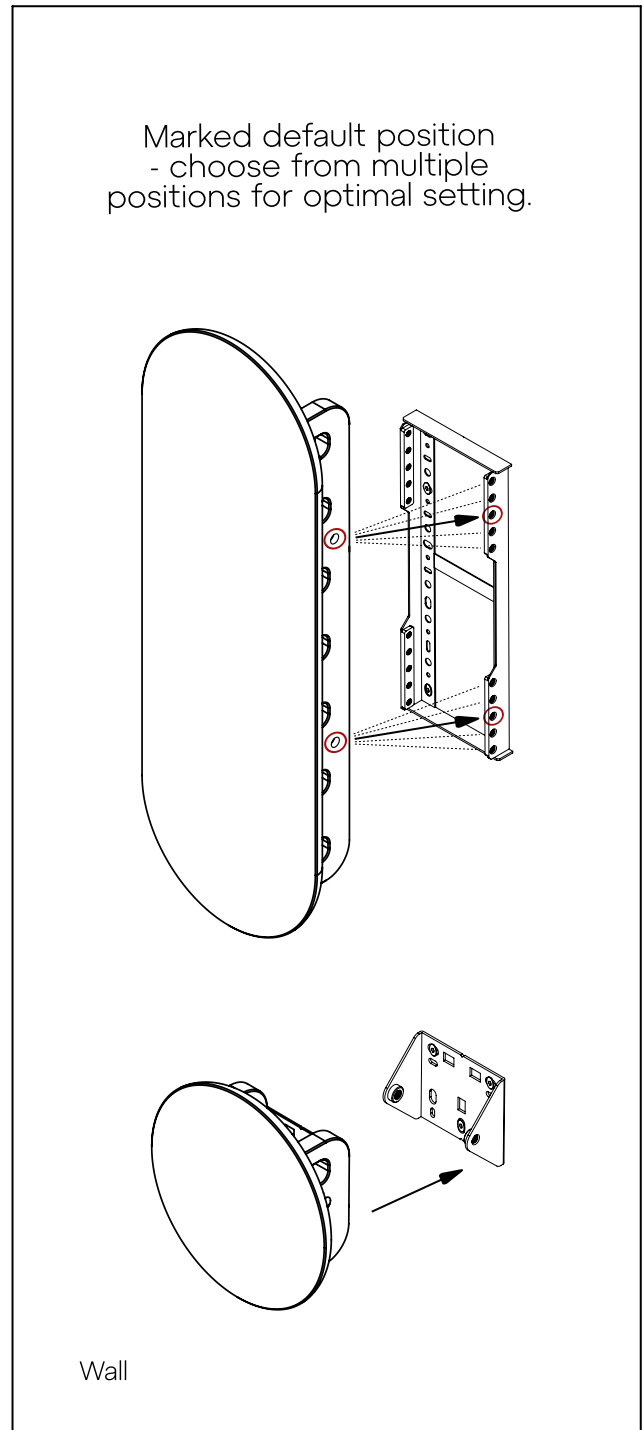
Step 4



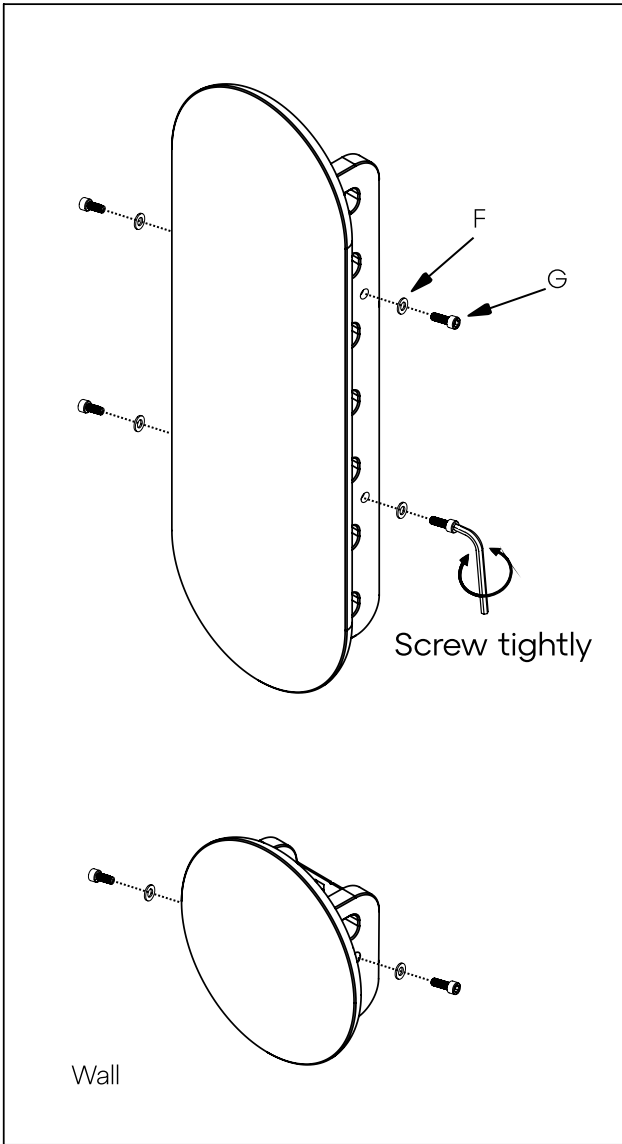
Step 5



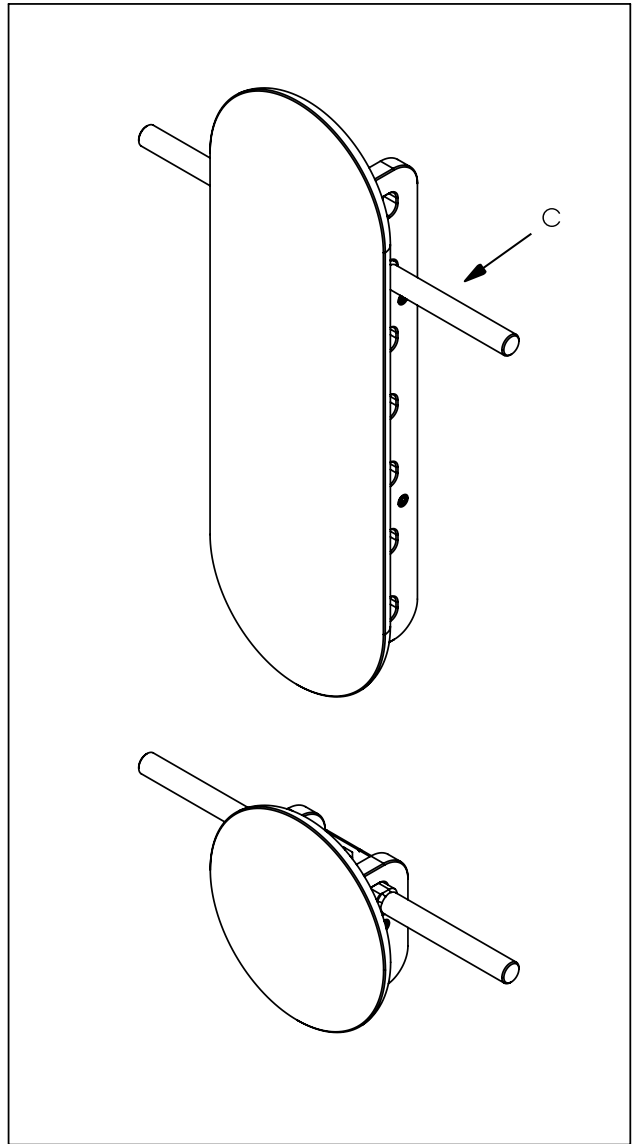
Step 6



Step 7



Step 8



Step 9

