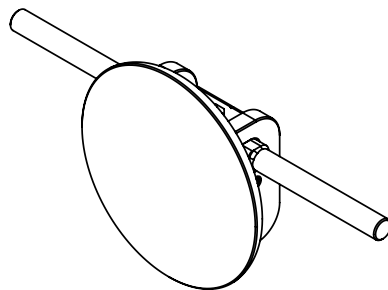
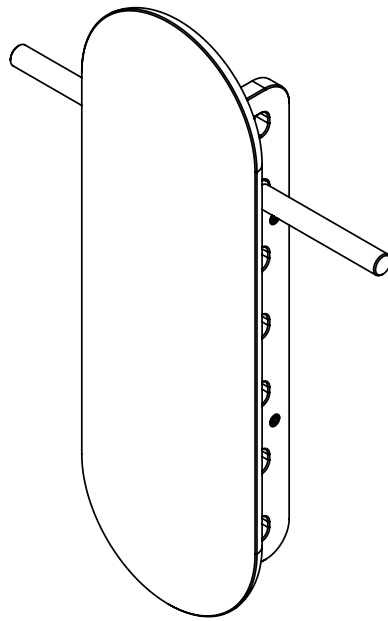


JAVORINA

Assembly instructions Sana Wallbar

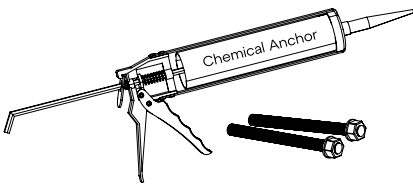


User instructions

Read the assembly instructions carefully before using your product. Failure to follow the instructions may result in product damage or, in the worst case, injury.

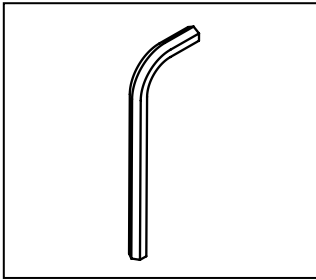
Use the product only for the purpose described in this manual. Any other use is not consistent with the intended purpose of the product and may result in product damage or injury. The manufacturer assumes no responsibility for damage resulting from the use of the product in a manner for which it is not intended.

Warnings

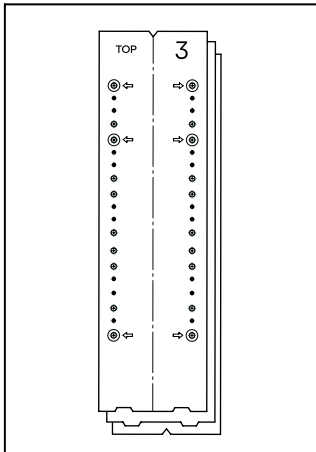


We recommend professional installation for optimal stability. The anchoring method should be chosen based on the substrate, whether brick, concrete, wood or another material. Please note that **installation is not suitable for drywall.** A chemical anchor may be suitable for certain surfaces to ensure a secure fit. Always consider the specific characteristics of the installation surface when choosing the mounting technique.

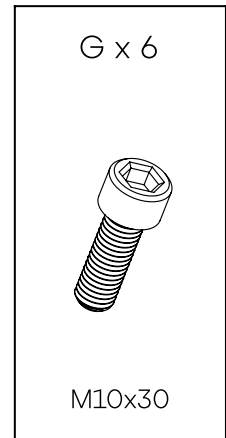
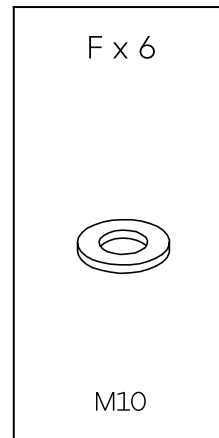
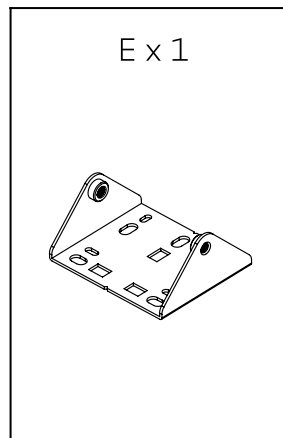
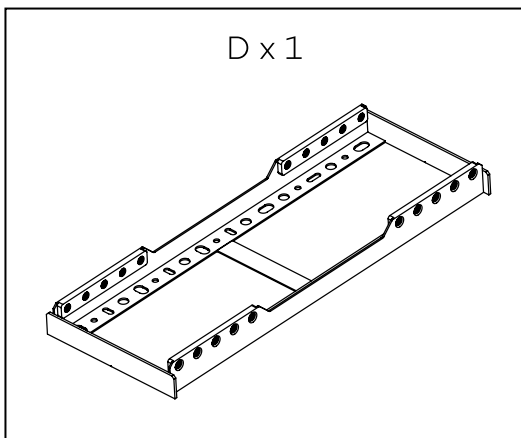
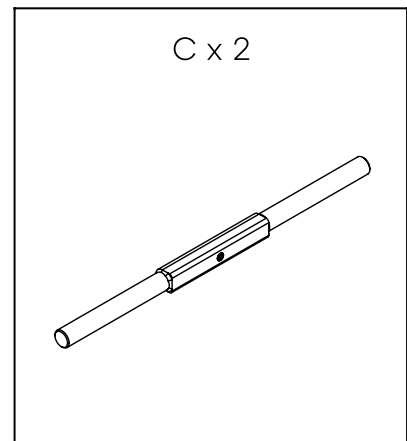
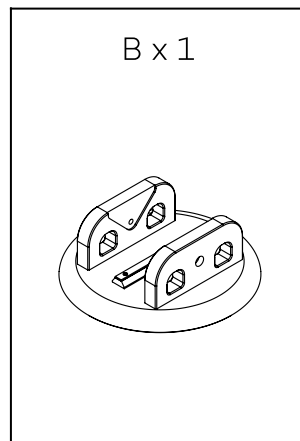
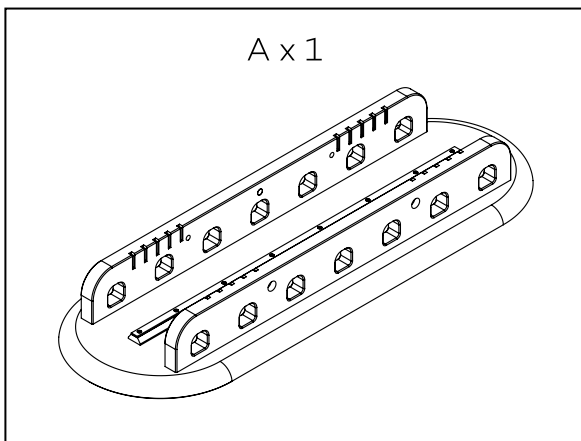
Tools overview



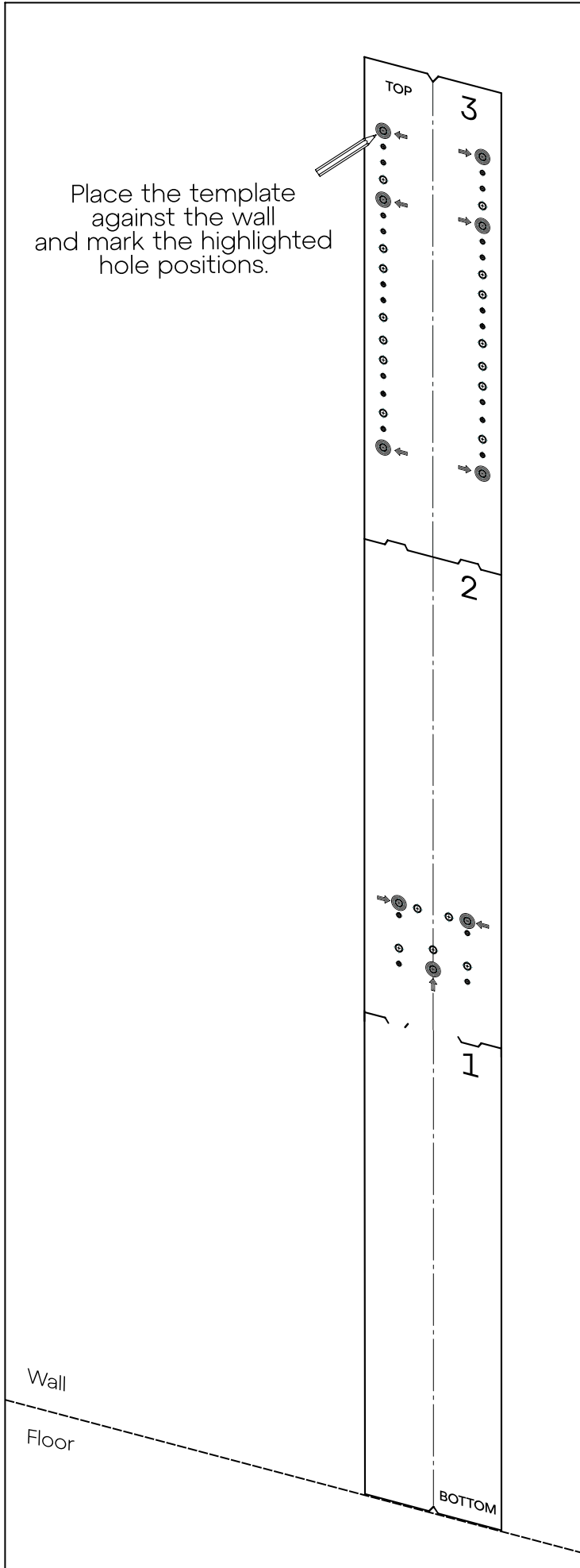
Assembly template



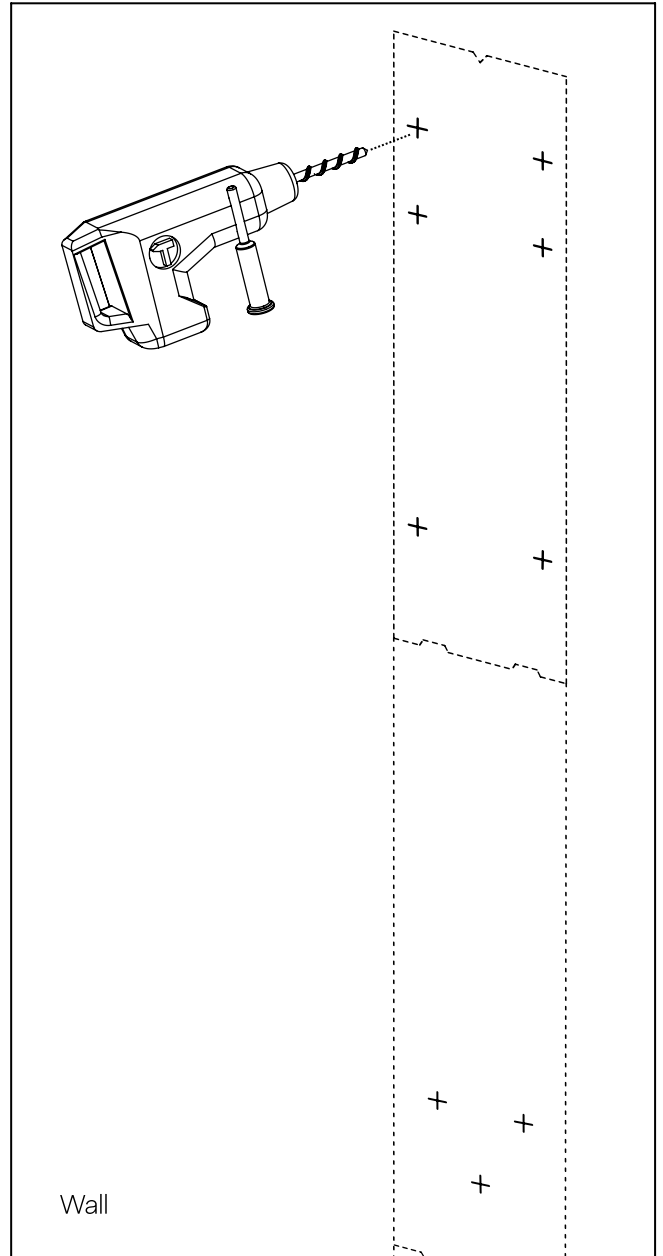
Fittings and product parts



Step 1



Step 2



Step 3

Assess the Wall Material

Determine the type of wall material (brick, concrete, wood,...) to choose the appropriate anchoring method.

Select Anchoring Method

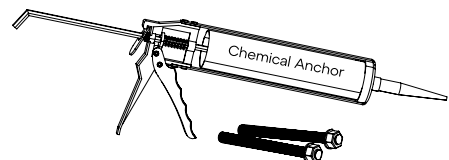
Based on the wall material, select the proper anchoring system. In some cases, a chemical anchor may be required for added stability.

Professional Installation Recommended

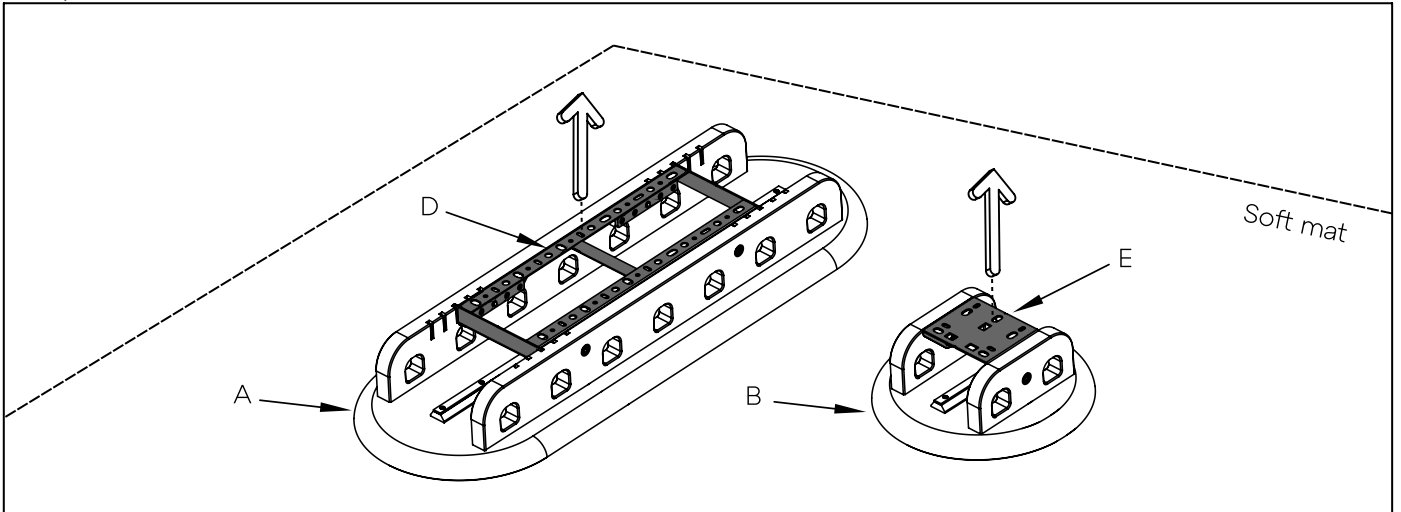
For best results and secure installation, it is highly recommended to consult a professional installer.

Proceed with Installation

Follow the manufacturer's instructions for drilling and securing the anchors into the wall substrate.

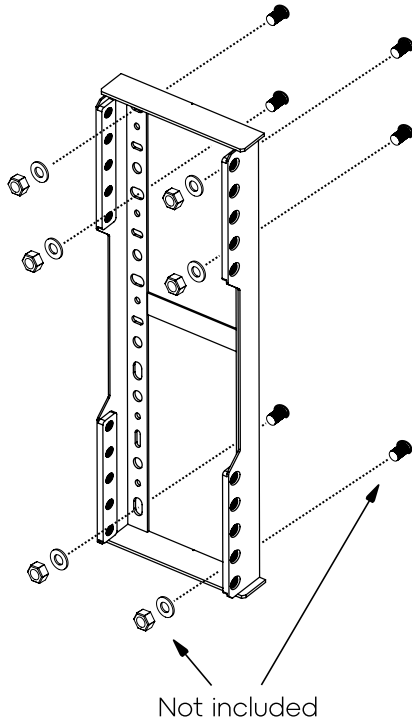


Step 4

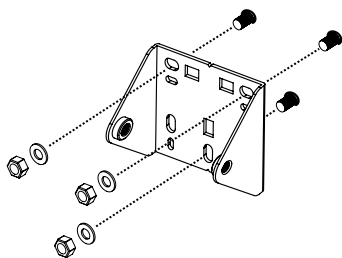


Step 5

Demonstration of installation using a chemical anchor



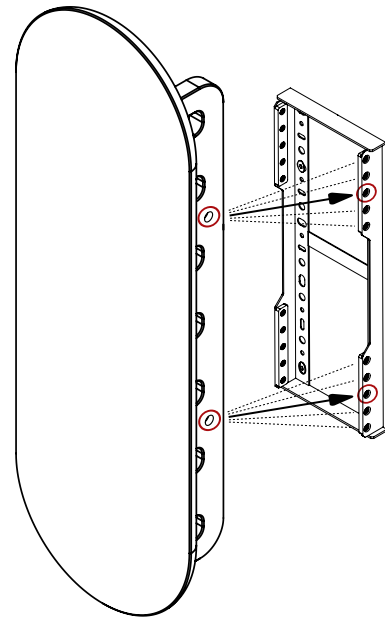
The frame has multiple mounting positions for attaching to the wall. If needed, additional mounting positions can be used to ensure a more secure installation.



Wall

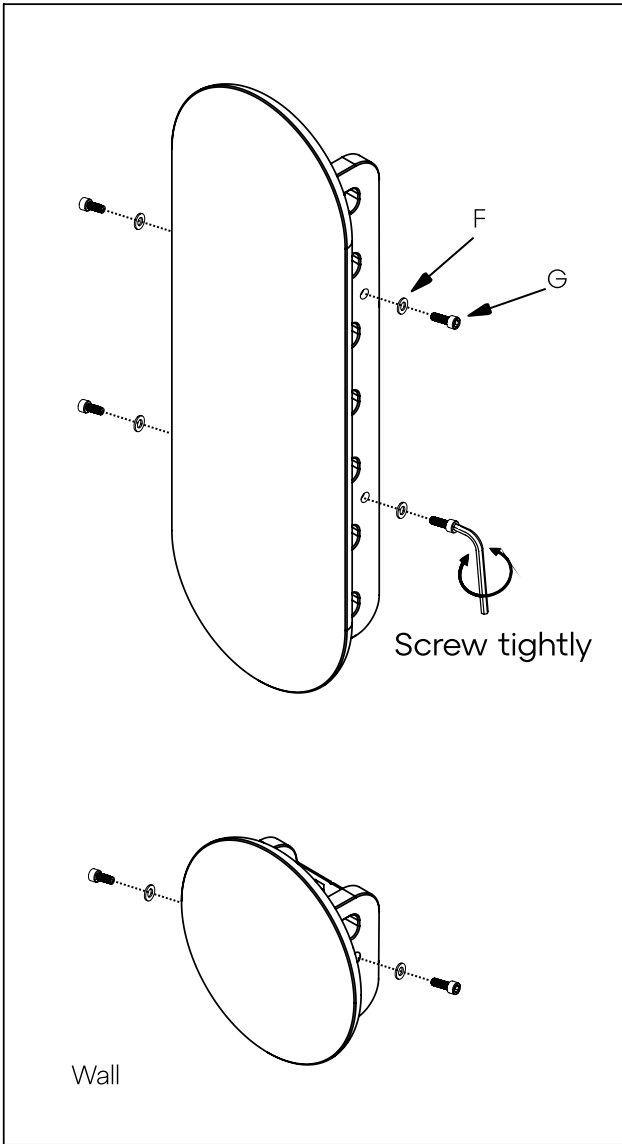
Step 6

Marked default position - choose from multiple positions for optimal setting.

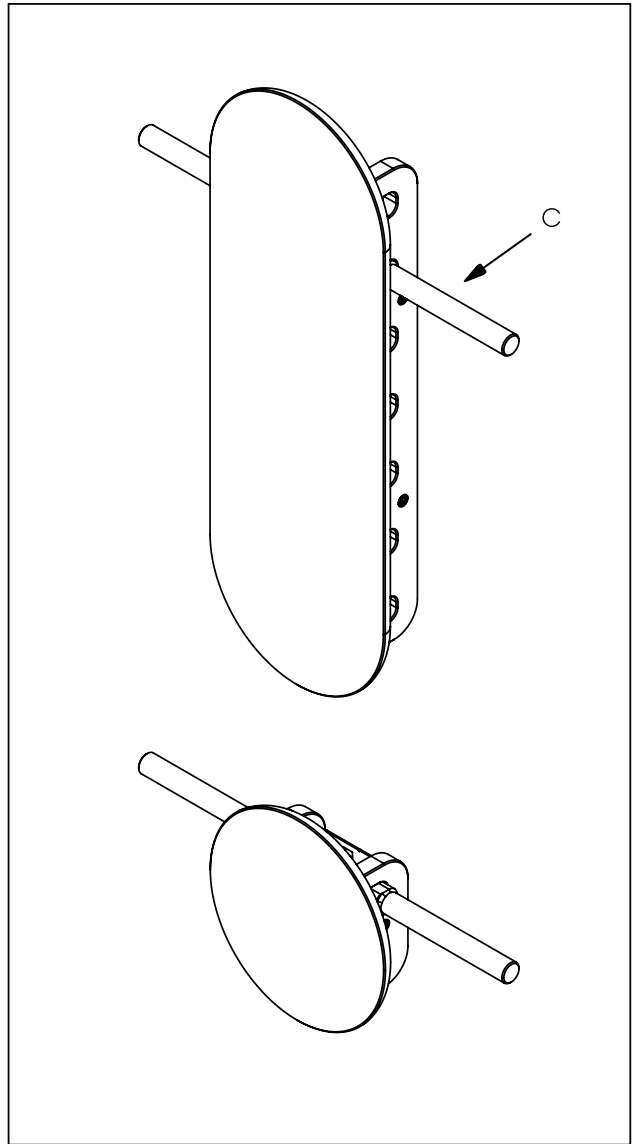


Wall

Step 7



Step 8



Step 9

